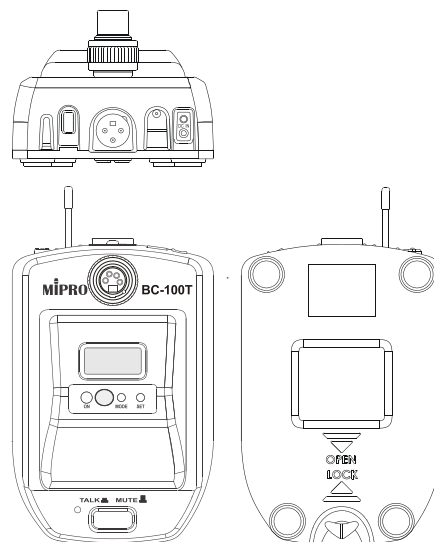


BC-100T UHF Wireless Conference Microphone Base

Features

- BC-100T encloses the ACT-32TC transmitter PCB for wireless transmission and can also connect directly with MM-206 / MM-205 / MM-204 gooseneck microphone.
- For wired transmission, the output jack requires phantom power from the mixer.
- For wireless transmission, the operational controls are the same as the ACT-T Series bodypack transmitters. A built-in ICR 18500 rechargeable lithium-ion battery can be charged by an external charger or simply replace with another spare battery.
- A TALK / MUTE button with a LED indicates TALK (LED on) or MUTE (LED off).



Specifications

Built-in Transmitter	ACT-32TC (UHF Analog)
Receiver	ACT-300/500 Series
Input Jack	4 pin XLR female
Output Jack	Balanced XLR male
Microphones	MM-206 / MM-205 / MM-204 gooseneck microphone
TALK / MUTE Button	Mechanical PUSH-HOLD switch, with LED status indicator.
Power Supply	A built-in ICR 18500 rechargeable lithium battery and the charging circuit.
Phantom Power	External 24 ~ 48 V DC phantom power is required.
Color	Black
Dimensions	100 × 78 × 150 mm (W×H×D)
Net Weight	Approx. 710 g
Note	Refer to the actual product in the event of product discrepancy.