

ACTION-515A



DESCRIPTION

ACTION-515A is an active system designed to deliver a highly versatile solution, from fixed installations to the popular portable PA application. Its rotatable horn with 90° x 60° dispersion means the enclosure can be used horizontally in a fixed installation, as a stage monitor or even as front fill.

As part of our company culture, all our systems are developed under a single philosophy: to deliver the highest possible quality in terms of both materials and overall system design. In the ACTION-500 series we use the same birch plywood as our touring systems for a tight, natural warm sound found nowhere else on the market. The series' full range of active tops is complete with two balanced XLR inputs for mic and line, an additional 3.5 mm mini jack input, and a powerCON connection.

The system has a 15MI4 loudspeaker for a more powerful low-frequency response than other tops in the series and an M-34 compression driver for high frequencies which, together with the 1000 Wpeak Class D amplifier, deliver outstanding performance. The DAScontrol™ interface uses a high-range 24-bit DSP and rear LCD screen to enable the selection of presets, EQ modes, delay, gain control and signal source mix.

KEY FEATURES

- Active biamp system
- Dual-channel 1000 Wpeak Class D amplifier
- Birch plywood enclosure
- Durable ISO-flex paint
- DAScontrol™ interface for easy setup and adjustment
- DSP with presets and LCD screen

APPLICATIONS

- Live sound reinforcement
- Bands, DJ's and performers
- Speech and vocals
- Music playback in entertainment
- A/V, conferences and presentations

SPECIFICATIONS

Performance

| | |
|-----------------------------|----------------|
| Frequency Range (-10 dB) | 45 Hz - 20 kHz |
| Horizontal Coverage (-6 dB) | 90° |
| Vertical Coverage | 60° |
| Maximum Peak SPL at 1 m | 131 dB |

Electronics and Connectors

| | |
|--------------------------------------|----------------------|
| Nominal Amplifier Power (continuous) | 500 W |
| Nominal Amplifier Power (peak) | 1000 W |
| Input Type | Balanced |
| Input Impedance | 20 kohms |
| Input Sensitivity | 1.95 V (+8 dBu) |
| Audio Signal Input Connector | 2 x Female XLR |
| AUX Input | 1 x 3.5 mm Mini Jack |
| Audio Signal Loop Thru Connector | 1 x Male XLR |
| Control | DAScontrol™ |
| Current Draw 230 V / 115 V | 1.1 A/2.2 A |

Enclosure

| | |
|------------------------|--------------------|
| Enclosure Construction | Birch Plywood |
| Enclosure Geometry | Trapezoidal |
| Rigging | M10 Rigging Points |
| Finish | ISO-flex Paint |
| Color | Black |

ACTION-515A

| | |
|--------------------------|---|
| Dimensions (H x W x D) | 720 x 445 x 385 mm 28,3 x 17,5 x 15,2 in |
| Net Weight | 23,5 kg (51,8 lb) |

Components

| | |
|----------------|--------|
| LF Driver | 15MI4 |
| HF Driver | M-34 |
| Horn/Waveguide | BC-916 |

Shipping

| | |
|---------------------------------|---|
| Carton Dimensions (H x W x D) | 785 x 430 x 505 mm 30,9 x 16,9 x 19,9 in |
| Shipping Weight | 26,5 kg (58,4 lb) |

ORDERING INFORMATION

| Model | Description | P/N |
|-------|-------------|-----|
|-------|-------------|-----|

System

| | | |
|-------------|--|----------|
| ACTION-515A | | 10427250 |
|-------------|--|----------|

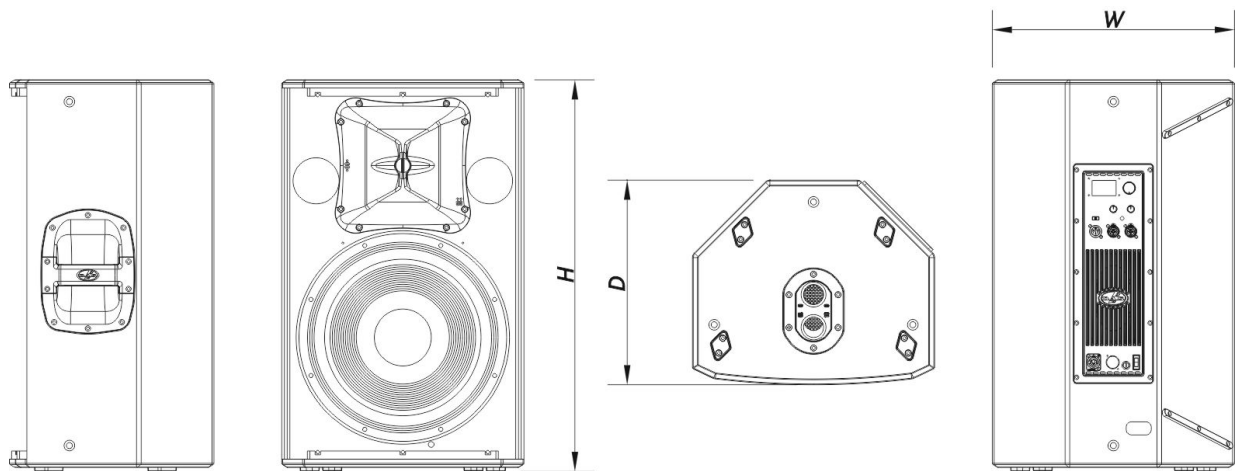
Replacement Parts

| | | |
|-----------------|--------------------|----------|
| 15MI4 | Cone Transducer | 10214300 |
| BC-916 | Horn | 30006590 |
| DSP-ACTION-515A | Dsp | 20406594 |
| GM-15MI4 | Recone Kit | 20208280 |
| GM-M34 | Diaphragm | 20205060 |
| M-34 | Compression Driver | 10207080 |
| MP-ACT515A | Power Module | 20406584 |

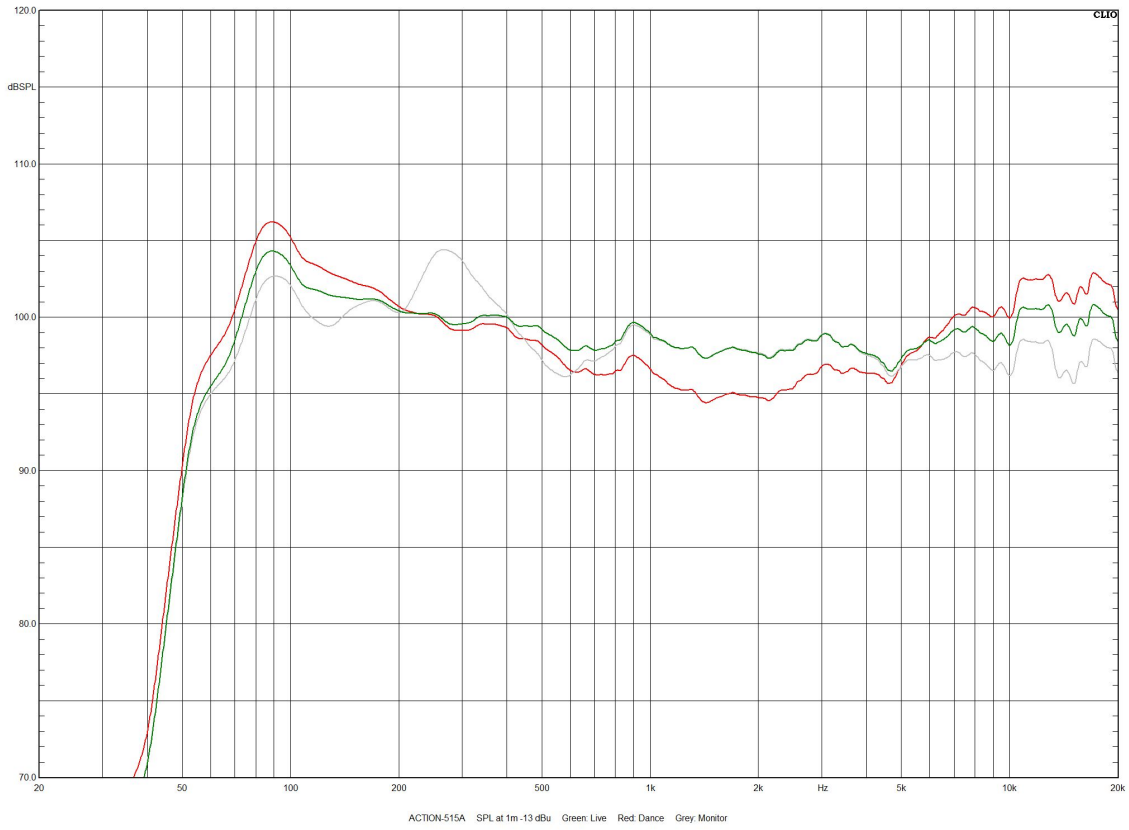
Accessories

| | | |
|-------------|------------------------------|----------|
| ANL-2 | Rigging Accessories | 10101020 |
| FUN-VT15 | Transport Accessories | 10103720 |
| TRD-6 | Installation & Stacking Acc. | 10104470 |
| TRD-7 | Installation & Stacking Acc. | 10104471 |
| TRPD-S2-PAK | Installation & Stacking Acc. | 10104011 |

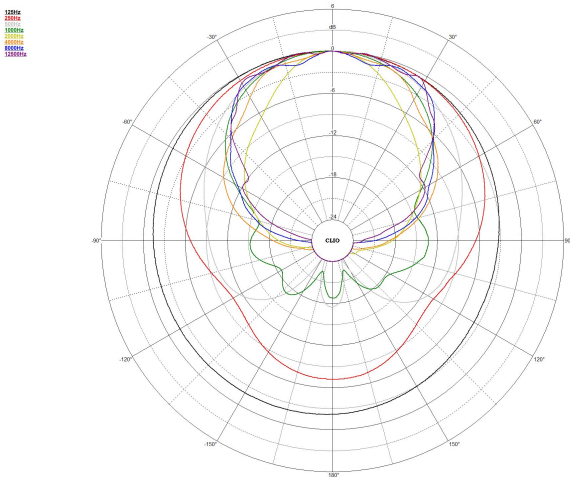
DIMENSIONS



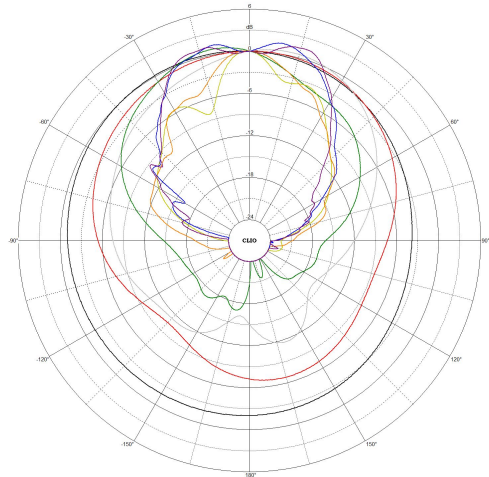
PERFORMANCE DATA



Frequency response



Horizontal polar data



Vertical polar data

