

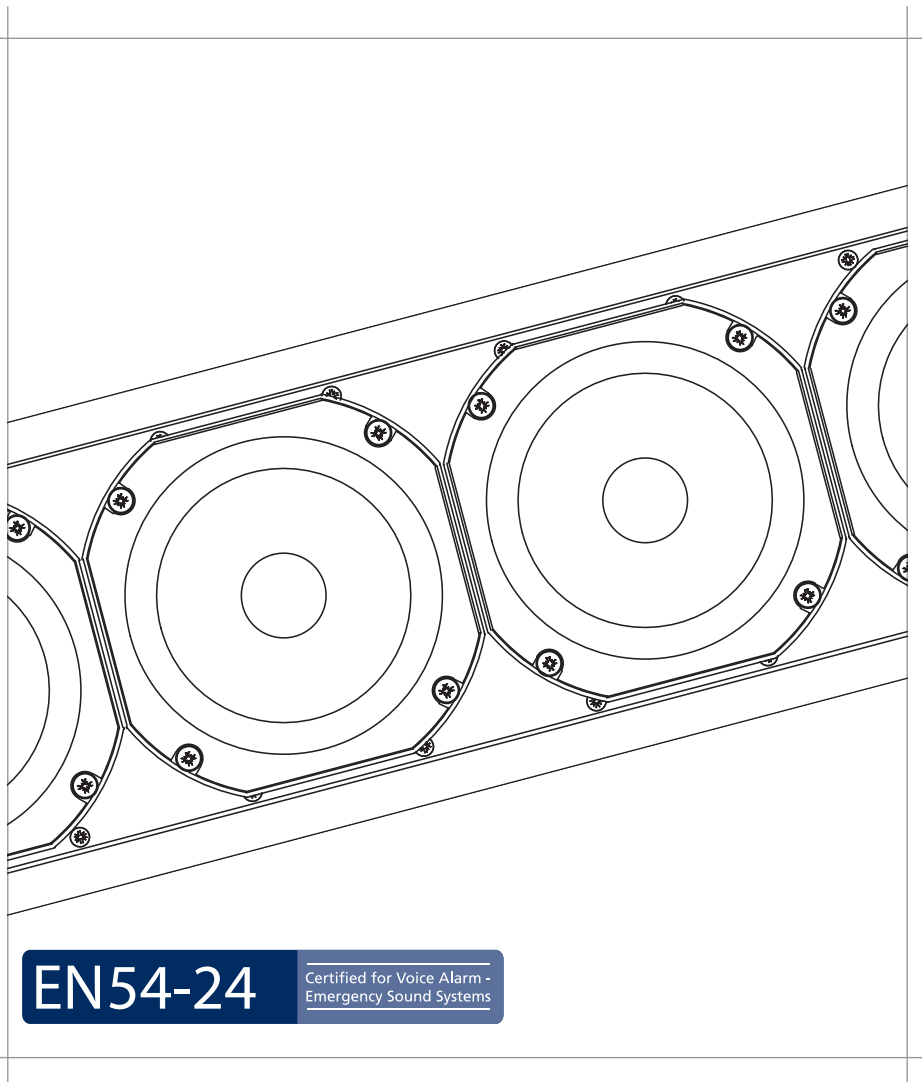
H90

Datasheet

Applies to SKU:

IVX-576126, IVX-577126 and IVX-577136

Intellivox ADC-H90



Shaping the future of sound reinforcement

User Notice:

- No part of this document including the software described in it may be reproduced, transmitted, transcribed, stored in a database system or translated without the express written permission of JBL Professional. Documentation kept by the end-user for backup purposes is excluded from the above mentioned.
- All products and corporate names mentioned in this document may be registered trademarks or copyrights of their respective companies. They are used here for indicative purposes only.
- The information contained in this document has been carefully checked for accuracy, however no guarantee is given with respect to the correctness. accepts no responsibility or liability for any errors or inaccuracies that may appear in this document or the products and/or software described in it.
- Specifications and information contained in this document are subject to change at any time without notice.

Table of Contents

User Notice:	2
Table of Contents	3
1. Architectural and Engineering Specifications	4
2. Specifications	5
3. SPL Plots	7
4. Impedance Plots	8
5. Mechanical Details	9
6. Physical References	10
7. Optional Accessories	11

1. Architectural and Engineering Specifications

The unit shall be constructed as a line-array of six 4" full-range loudspeakers, equipped with moisture resistant diaphragms and shall be designed for use in 100 V/70 V professional audio installations. The unit is intended for use in both public address and voice alarm systems and shall be compliant with EN 54-24. The unit shall be suitable for both indoor and outdoor use and therefore shall be compliant with the environmental requirements of EN 54-24 for both types A & B.

All necessary array signal processing shall be implemented in the analogue domain by means of a fixed set of internal filters that shall realize appropriate output channel filter transfer functions. Besides the aforementioned, the unit shall have the following functions:

- Switchable High Pass Filter (HPF).
- Switchable EQ contour.
- Switchable power taps: 100 W, 50 W and 25 W.

The audio signal shall be connected to a ceramic terminal block. A thermal fuse shall be included in the internal audio path to disconnect the unit from the 100 V/ 70V line should the unit be exposed to extreme heat and/or fire. An additional internal fuse shall be used to protect the unit from excess current. All connectors, fuses and switches shall be grouped together inside the unit and shall be accessible from a cover plate on the front of the unit. A gland shall be provided for cable entry on the rear of the unit.

A LED shall be fitted to the loudspeaker baffle which illuminates on detection of a constant high frequency pilot-tone, which shall indicate that the unit is properly connected to the 100 V/70 V line. The LED shall be visible with the grill installed.

The enclosure shall be constructed of steel finished with an epoxy coating. At the back side of the enclosure a total of two bracket attachment points shall be provided (located near the outer ends). The protective front shall consist of a perforated steel grill which can be clicked onto four snap-in studs mounted on the enclosure. For added security grill security screws shall be provided to lock the steel grill in place.

The complete loudspeaker unit shall meet the following criteria (100 W tap / HPF flat / EQ flat):

Typical frequency range of the complete array: 260 - 11k Hz on reference axis (+/- 3 dB), max. SPL at 4 m of 99 dB_{SPL} continuous, fixed nominal horizontal opening angle at 4 m of 39° (-6 dB, averaged 1k to 4k Hz), fixed horizontal aiming angle of 0°, fixed vertical opening angle at 4 m of 135° (-6 dB, averaged 1k to 4k Hz).

Dimensions are 134 mm (5.3") H x 865 mm (34.1") W x 92 mm (3.6") D. Weight 10 kg (22 lbs).

The loudspeaker unit shall be the JBL Professional model Intellivox ADC - H90.

Specifications¹

Acoustical:

Frequency range ^{2,3}		: 260 - 11k Hz (+/-3 dB, HPF flat / EQ flat) : 150 - 14k Hz (-10 dB, HPF flat / EQ flat)
Sensitivity (1 W / 4 m) ^{2,4}		: 79 dB _{SPL} (100 W tap / HPF flat / EQ flat) : 76 dB _{SPL} (100 W tap / HPF active / EQ active)
Maximum SPL (100 W / 4 m) ^{2,5}		: 99 dB _{SPL} (100 W tap / HPF flat / EQ flat) : 96 dB _{SPL} (100 W tap / HPF active / EQ active)
Horizontal coverage (-6 dB) ^{6,8,9}	- 500 Hz - 1k Hz - 2k Hz - 4k Hz - 8k Hz	: 66° : 50° : 39° : 27° : 15°
Vertical coverage (-6 dB) ^{7,8,9}	- 500 Hz - 1k Hz - 2k Hz - 4k Hz - 8k Hz	: 211° : 198° : 128° : 88° : 38°
Steering angle		: Horizontal 0°
Typical throw		: 15 m

Electrical:

Rated Impedance ^{10,11}	- 100 W tap - 50 W tap - 25 W tap	: 100 Ω : 200 Ω : 400 Ω
Rated Noise Power ¹⁰		: 100 W _{rms} (100 W tap)
Rated Noise Voltage ¹⁰		: 100 V _{rms}
Control switches ¹²	- Tap setting - Highpass filter ¹³ - Correction EQ	: 100 W / 50 W / 25 W : HPF active / Flat : EQ active / Flat
Fuses	- Glass fuse ¹² - Thermal fuse ¹²	: 1 A (slow type, 20 mm, replaceable) : Open temperature 104 °C Rating >= 8 A @ 250 VAC One-shot operation (replaceable)
Connections	- Terminal block ¹² - Material - Rated cross-section	: 100 V / 0 V / Earth (connected to enclosure housing) : Steatite housing with brass inserts : 2.5 mm ²
Cable gland	- Maximum diameter	: 13.5 mm

Pilot tone detection	- Indicator	: Green LED on front
	- Frequency range	: 20k - 23k Hz
	- Minimum level ¹⁴	: 6 V _{rms}
Suggested amplifiers		: JBL 100 V IndustryAmp series

General:

Temperature range (ambient) ¹⁵		: -25 to 70 °C
Transducers		: 6 x 4" full range
Dimensions (H x W x D) ¹⁶		: 134 mm (5.3") x 865 mm (34.1") x 92 mm (3.6")
Default colour	- Enclosure and grill	: RAL 9007 (grey), applies to part number 576126 : RAL 9010 (white), applies to part number 577126 : Custom colour, applies to part number 577136
	- Speaker baffle	: RAL 9011 (black), applies to all part numbers
Weight		: 10 kg (22 lbs)
Enclosure material	- Enclosure	: Steel, powder coated
	- Grill	: Perforated steel mesh
Standards (incl. environmental tests and enclosure protection)		: EN 54-24 Type B (outdoor) ¹⁷
Certificates		: CE, EN 54-24

Notes:

1. The factory default setting (100 W tap / HPF active / EQ active) is assumed unless specified otherwise.
2. Measured at 4 m from the reference point on the reference axis according to EN 54-24:2008 (corrected ground plane measurement setup). See Physical References section for details.
3. See SPL Plots section for details.
4. Measured with a broad-band pink noise signal, calculated from sound pressure levels analysed in 1/3 octave bands with center frequencies from 100 - 10k Hz.
5. Measured with simulated programme signal according to IEC 60268-1:1985, 100 V_{rms} with a crest factor of 6 dB.
6. Measured in the horizontal plane at 4 m from the reference point according to EN 54-24:2008 (corrected ground plane measurement setup). See Physical References section for details.
7. Measured in the vertical plane at 4 m from the reference point according to EN 54-24:2008 (corrected ground plane measurement setup). See Physical References section for details.
8. Measured with a broad-band pink noise signal analysed in octave bands.
9. Directivity is generally distance dependent, the DDA software package should be used for detailed directivity analysis.
10. Defined according to EN 54-24:2008.
11. See Impedance Plots section for details.
12. Located behind the inspection plate. Refer to the related Installation Manual for details.
13. Series capacitor in primary circuit.
14. The detection is most sensitive around 21k Hz, the specified level is required near the frequency extremes. The required level is not depending on the (tap) switch settings.
15. Maximum ambient temperature for continuous operation is 40 °C. For ambient temperature below 0 °C a Frost protection scheme (as offered by the JBL IndustryAmp amplifiers) is advised.
16. Depth of enclosure including front grill, without mounting brackets.
17. Also compliant to the requirements of Type A (indoor).

3. SPL Plots

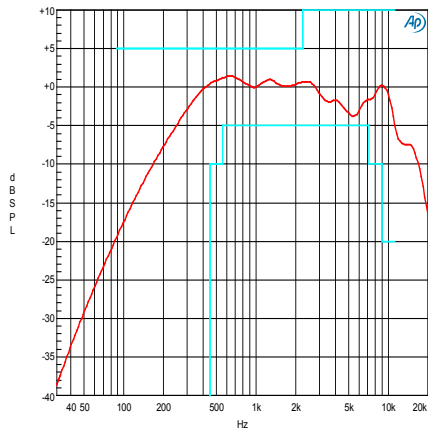


Fig 1 Normalized SPL vs frequency,
100 W tap / HPF flat / EQ flat.

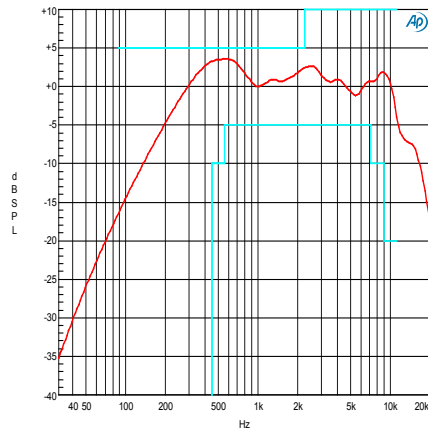


Fig 2 Normalized SPL vs frequency,
100 W tap / HPF flat / EQ active.

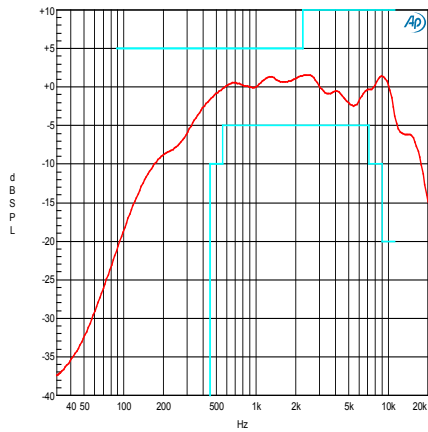


Fig 3 Normalized SPL vs frequency,
100 W tap / HPF active / EQ flat.

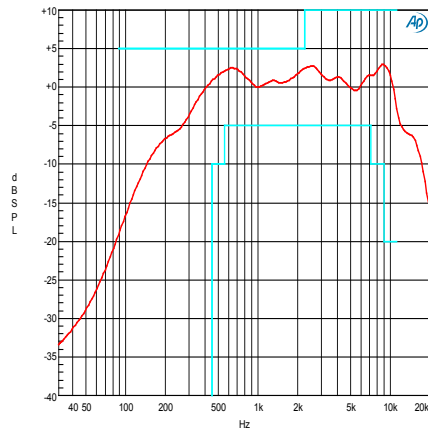


Fig 4 Normalized SPL vs frequency,
100 W tap / HPF active / EQ active.

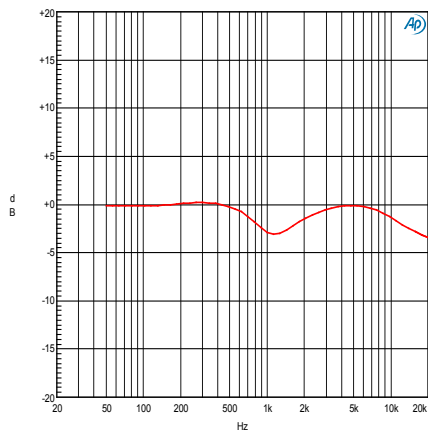


Fig 5 EQ correction.

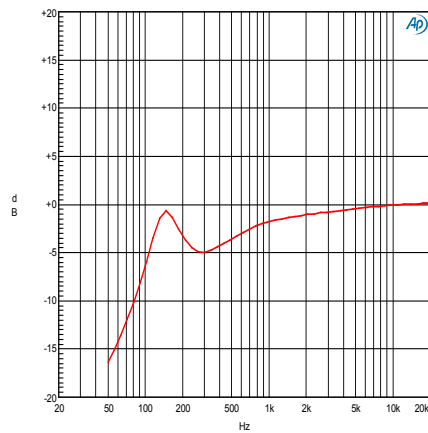


Fig 6 HPF correction (100 W tap).

Note: SPL data obtained from corrected ground plane measurements, MLS method, 8 ms time window, 1/3 oct averaged.
SPL plots scaled to 0 dB_{SPL} at 1k Hz.

4. Impedance Plots

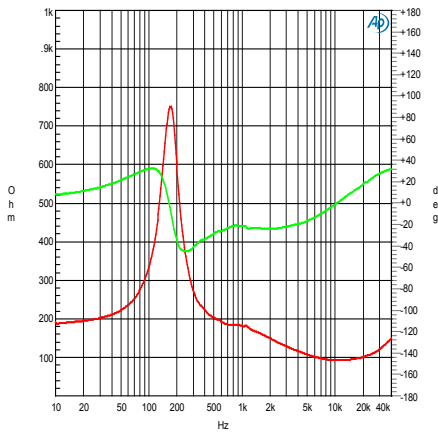


Fig 7 Impedance magnitude (red) and phase (green) vs frequency, 100 W tap / HPF flat / EQ flat.

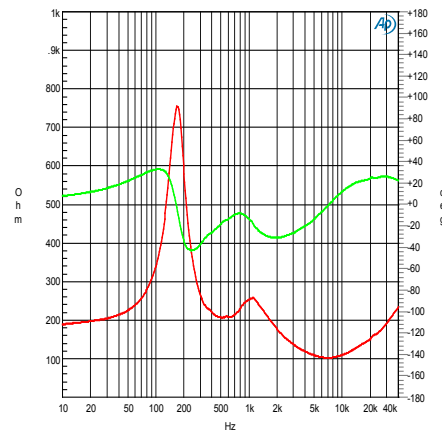


Fig 8 Impedance magnitude (red) and phase (green) vs frequency, 100 W tap / HPF flat / EQ active.

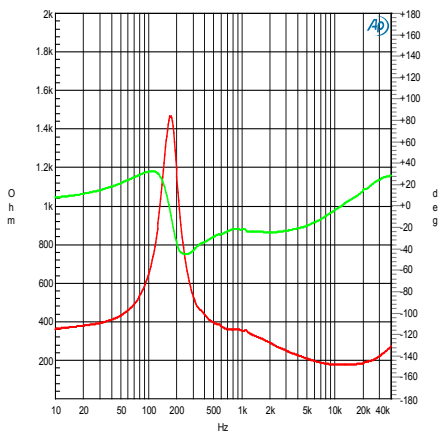


Fig 9 Impedance magnitude (red) and phase (green) vs frequency, 50 W tap / HPF flat / EQ flat.

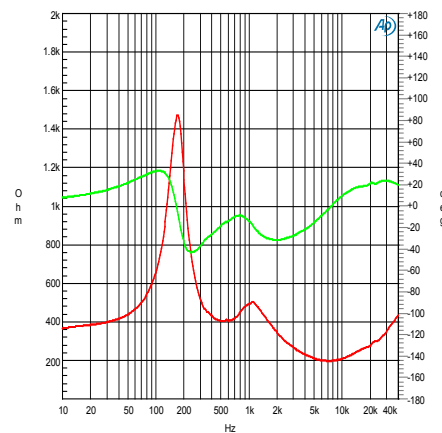


Fig 10 Impedance magnitude (red) and phase (green) vs frequency, 50 W tap / HPF flat / EQ active.

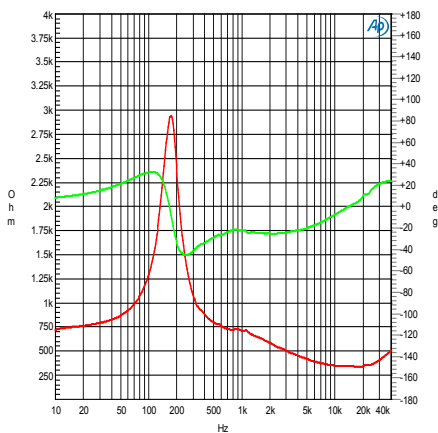


Fig 11 Impedance magnitude (red) and phase (green) vs frequency, 25 W tap / HPF flat / EQ flat.

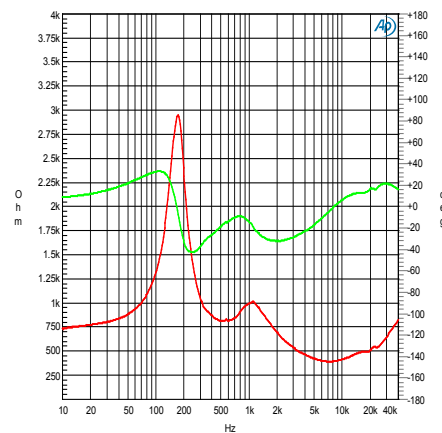
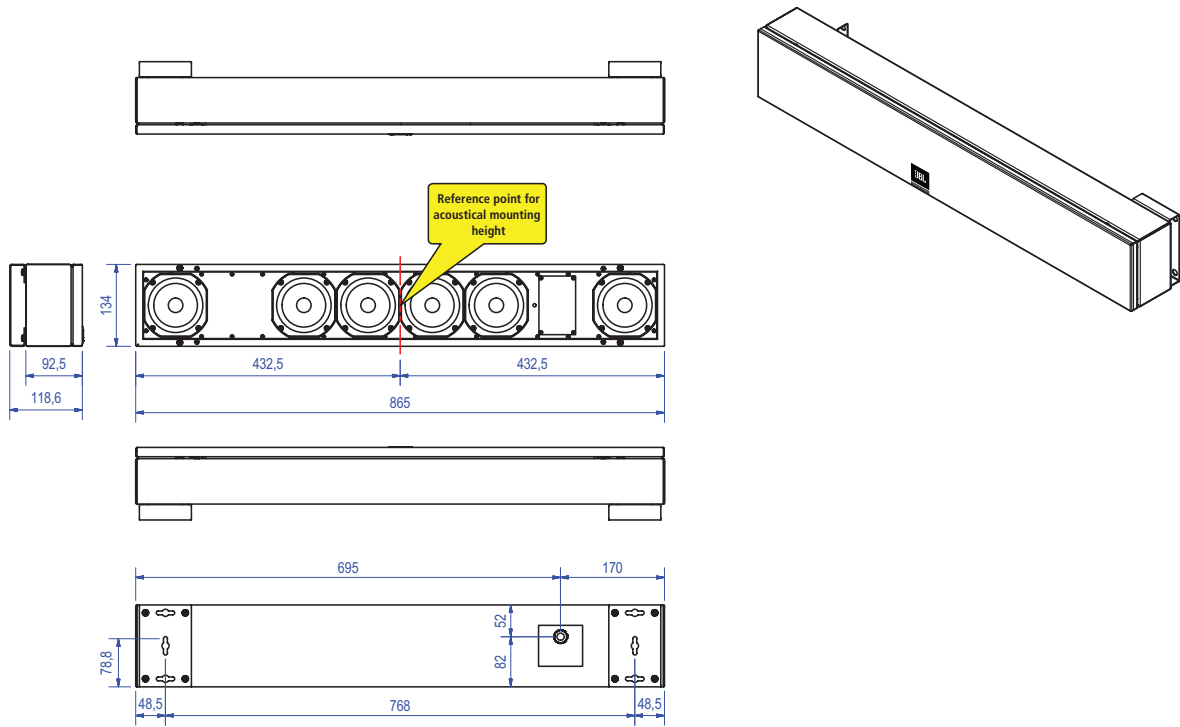
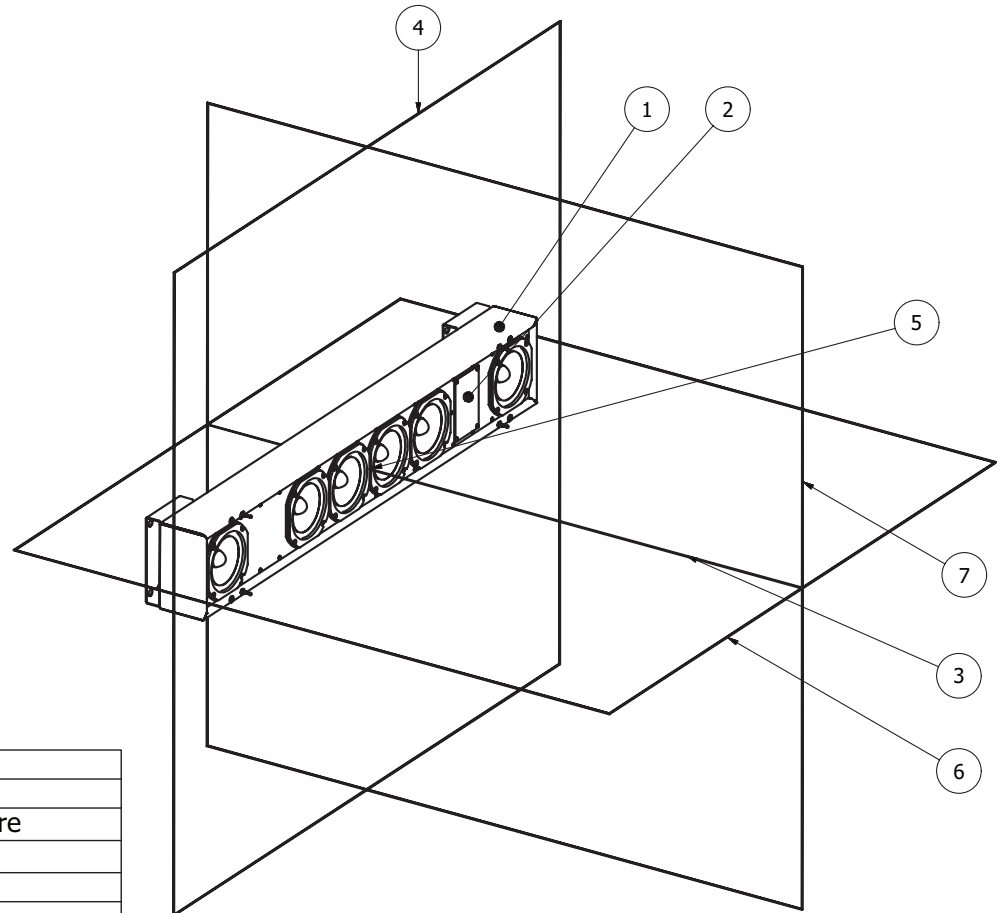


Fig 12 Impedance magnitude (red) and phase (green) vs frequency, 25 W tap / HPF flat / EQ active.

5. Mechanical Details



6. Physical References



Key	
1	loudspeaker enclosure
2	loudspeaker front
3	reference axis
4	reference plane
5	reference point
6	horizontal plane
7	vertical plane

Notes:

1. The reference plane (4) intersects the enclosure through the loudspeaker front baffle (2).
2. The reference point (5), located in the reference plane (4), coincides with the center of the loudspeaker front baffle (2).
3. The reference axis (3), through the reference point (5), is perpendicular to the loudspeaker front baffle (2).
4. The horizontal plane (6) and the vertical plane (7) contain the reference axis (3).

7. Optional Accessories

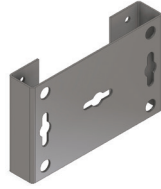
Wall Bracket Set (25 mm)

(Supplied as standard)

Order SKU: IVX-802227

(2 pcs incl. fasteners)

Standard colour RAL 9007 (grey)



Hinge Bracket 90°

Order SKU: IVX-802005

(1 pcs per pack)

Standard colour RAL 9007 (grey)

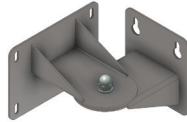


Swivel Bracket 90°

Order SKU: IVX-806668

(1 pcs per pack)

Standard colour RAL 9007 (grey)

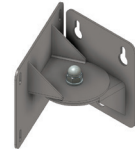


Swivel Bracket 45°

Order SKU: IVX-806678

(1 pcs per pack)

Standard colour RAL 9007 (grey)

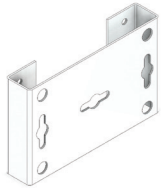


Wall Bracket Set (25 mm)

Order SKU: IVX-802225

(2 pcs incl. fasteners)

Colour RAL 9010 (white)



Hinge Bracket 90°

Order SKU: IVX-802000

(1 pcs per pack)

Colour RAL 9010 (white)

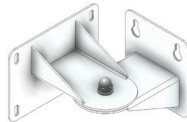


Swivel Bracket 90°

Order SKU: IVX-806608

(1 pcs per pack)

Colour RAL 9010 (white)



Swivel Bracket 45°

Order SKU: IVX-806618

(1 pcs per pack)

Colour RAL 9010 (white)



Note: The provided locking mechanism of the hinges and swivel brackets is not suitable for the standard (horizontal) mounting method.



JBL Professional
8500 Balboa Boulevard
Northridge, CA 91329 U.S.A.

© Copyright 2020 JBL Professional
www.jblpro.com