



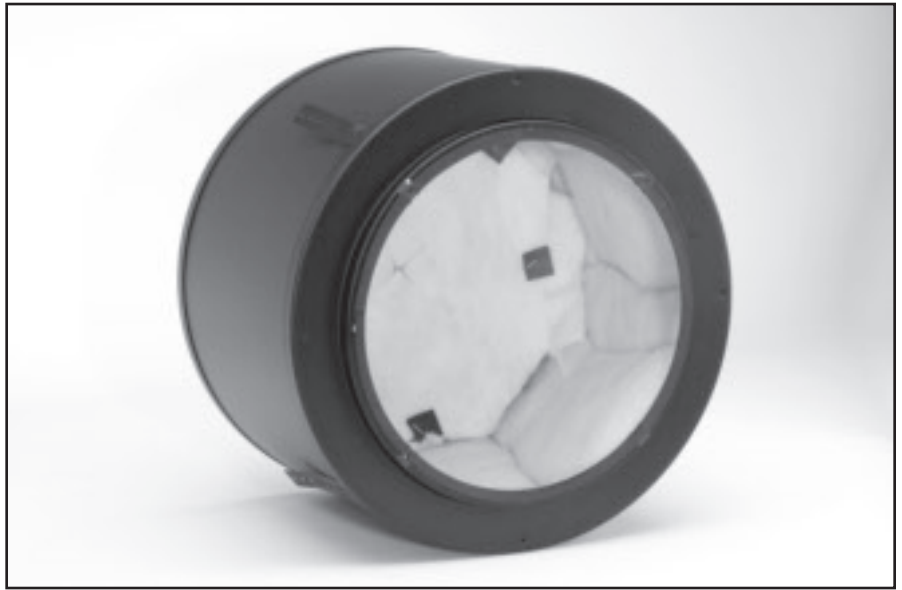
MTC-300BB8

1 Cubic Foot Backcan
for Control 300 Series
8 inch Drivers

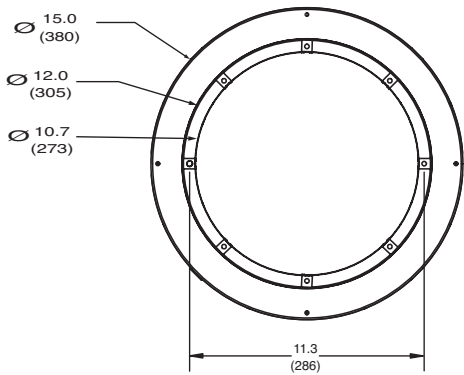
Professional Series

Key Features:

- ▶ Extra-thick 16 gauge metal construction.
- ▶ Lined with 12 mm (½ inch) thick MDF to eliminate resonances and to provide extra bass response.
- ▶ Knockouts on top and side.



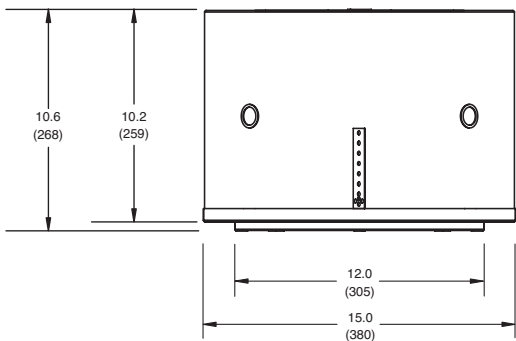
Dimensions:



Specifications:

External Volume:	1 cu ft, nominal
Internal Volume:	.71 cu ft.
Knockouts:	22.1 mm (0.87 in) diameter opening
Five (5) locations:	1 on top panel 4 on side of can
Dimensions (Height):	259 mm (10.2 in) above ceiling 268 mm (10.6 in) total height
(Outside Diameter):	380 mm (15.0 in)
(Inside Diameter):	273 mm (10.7 in)
(Ceiling Cut Out):	310 mm (12.2 in)
Safety Agency Rating:	Suitable for use in air handling spaces, per U.L.-2043, U.L.-1480, NFPA90 & NFPA70A
Net Weight:	5.2 kg (11.5 lbs)
Shipping Weight:	7.9 kg (16.5 lbs)
Included Accessories:	4 pcs #10 x 0.75 inch metal screws for mounting baffle to backcan

JBL continually engages in research related to product improvement. Changes introduced into existing products without notice are an expression of that philosophy.

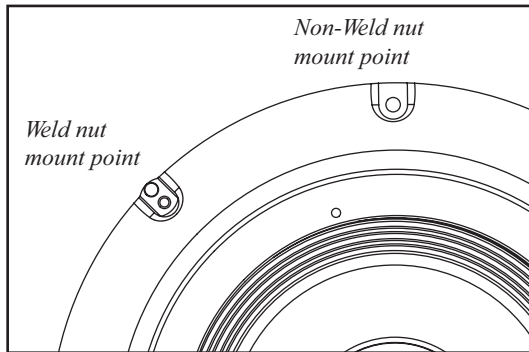


Dimensions in inches (mm)

► Control 300 / MTC-300BB8 Backbox Assembly

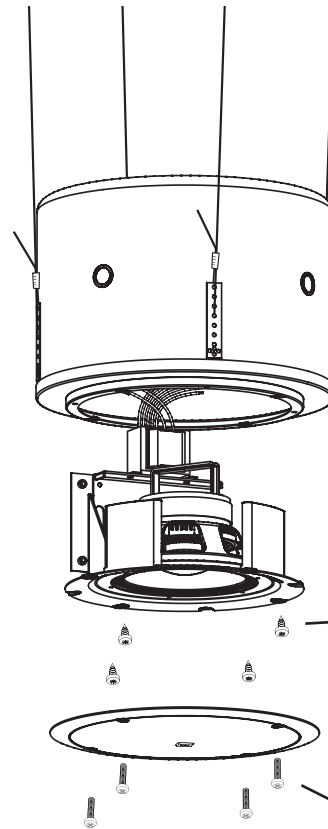
1.) Cut a 12.2 inch (310 mm) diameter hole in the ceiling to allow sufficient room for the loudspeaker baffle.

2.) After inserting the Control 328C/CT into the back can, align the mouting holes without weld nuts to the holes with clip nuts on the back can. *These are the mounting points that will be used to secure the Control 328 baffle and driver to the backcan.*



3.) Using 4 pcs - #10 x .75 in sheet metal screw, attaching the baffle / driver to the back can. Be sure to match the mouting holes without weld nuts to clip nuts on back can.

4.) Using 4 pcs - M4 x 38 mm powder coated machine screws, attach the metal grille to the baffle. Be sure to match the grille mouting holes to the weld nuts on the baffle assembly.

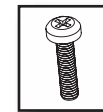


IMPORTANT!
See "Securing Loudspeaker Assembly to the Building Structure."



4 pcs - #10 x .75 in sheet metal screw for attaching the baffle / driver to the back can. Match to clip nuts on back can. (Included with MTC-300BB8.)

4 pcs - M4 x 38 mm powder coated machine screws for attaching the metal grille to the baffle. (Included with MTC-300RG8.)



IMPORTANT: SECURING THE LOUDSPEAKER ASSEMBLY TO THE BUILDING STRUCTURE

The backcan **MUST** be secured to the building structure by qualified personnel in accordance with safe installation practices. Use suspension materials, connection fixturing, and methods that are appropriate for the building structure and installation conditions. Employ a minimum 5:1 safety factor for each suspension point, or higher if required by code. For MTC-300BB8 with a Control 328C/CT, a 5:1 safety factor requires that each suspension point be rated to support a minimum of 57 kg (125 lbs).



JBL Professional
8500 Balboa Boulevard, P.O. Box 2200
Northridge, California 91329 U.S.A.

H A Harman International Company
© Copyright 2007 JBL Professional

SS MTC300BB8
CRP 5M
07/07