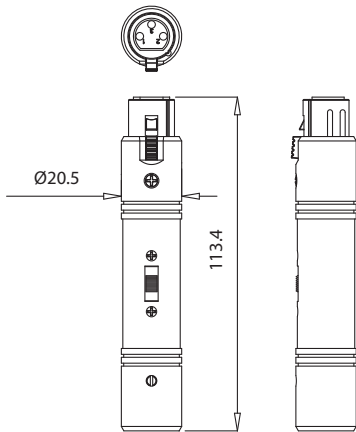


Specifications



JTS®

MA-SW

In-line Microphone Switch



JTS® PROFESSIONAL CO., LTD

No. 148, 9th Industry Road, TaLi Industry Park.,
Taichung City 41280, Taiwan (R.O.C.)

TEL: 886-4-24938803 FAX: 886-4-24914890

E-mail: jts@jts.com.tw

www.jts.com.tw



59010-603-02

Features

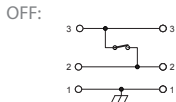
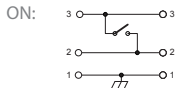
- * When use with balanced XLR cable, the ON/OFF switch can turn ON/OFF the volume of a DYNAMIC microphone.
- * MA-SW is symmetrical and can be used in either direction.
- * Full metal case optimizes shielding from hum.

Note: When use with a microphone that require Phantom Power, ON/OFF switch can only turn ON/OFF the volume but not Phantom Power.

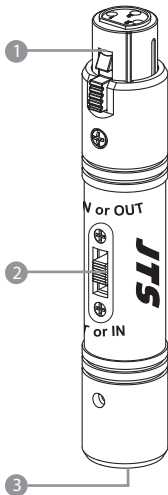
Parts identification

1 XLR (Female) Connector

2 ON/OFF Switch



3 XLR (Male) Connector



Specifications

Connectors

Input : XLR (Female)

Output : XLR (Male)

Impedance

Input : any impedance

Output : any impedance

Level

Input : Mic Level

Output : Mic Level

Dimensions(mm) : 20.5(W)mm*23.5mm(H)*113.4mm(D)

Weight : 40g

Operation

XLR connection

Connect directly to a Dynamic Microphone

