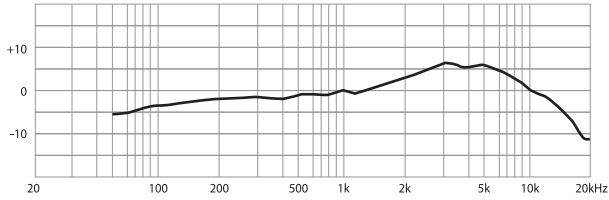
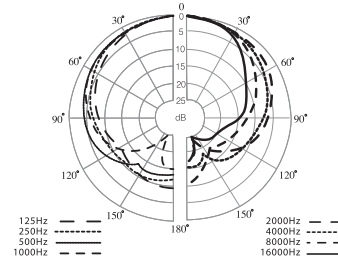


Frequency Response 50 to 16,500 Hz



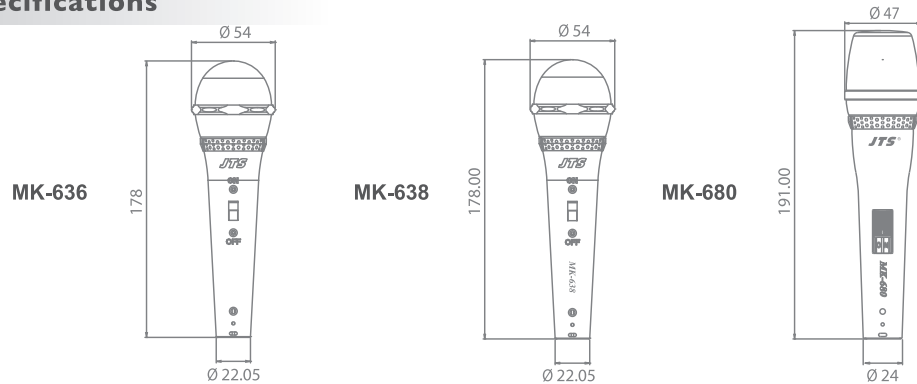
Polar Pattern



Specifications

- Type** Moving Coil Dynamic
- Frequency Response** 50 ~ 16,500 Hz
- Polar Pattern** Supercardioid, rotationally symmetrical about microphone axis, uniform with frequency
- Output Level(at 1,000Hz)** $-75 \pm 3 \text{dB}^*(0.18 \text{mV})^*0 \text{dB}=1 \text{V} / \mu\text{bar}$
- Impedance** 600Ω
- Phasing** Positive pressure on diaphragm produces positive voltage on pin2 with respect to pin3
- Connector** Three-pin professional audio connector (male XLR type)
- Net Weight** 280 grams (excl cable) : MK-636 / MK-638
350 grams (excl cable) : MK-680

Specifications



MK-636/MK-638/MK-680



STAGE MICROPHONE
MK-636/MK-638/MK-680



MK-636 **MK-638** **MK-680**
STAGE MICROPHONE

The MK-636/MK-638/MK-680 are designed with JTS newest capsule D-50 with ultra extended response and superior directional character. The soldering-free detachable capsule module and bomb-proof mechanical structure render the MK-636/MK-638/MK-680 an ideal microphone for heavy commercial application.

STAGE MICROPHONE