

Programme Series Data Sheets

MODEL:

Programme 35E/35ET..... 1

Programme 105/105T..... 2

Programme 108/108T..... 3

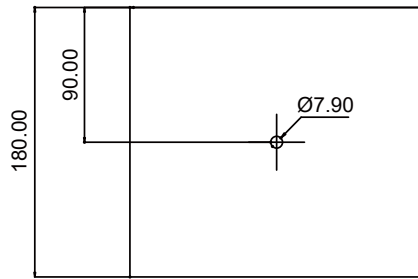
Programme 205/205T..... 4

Programme 206/206T..... 5

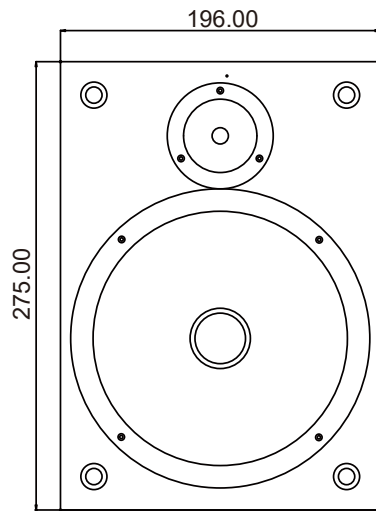
Programme 406/406T..... 6



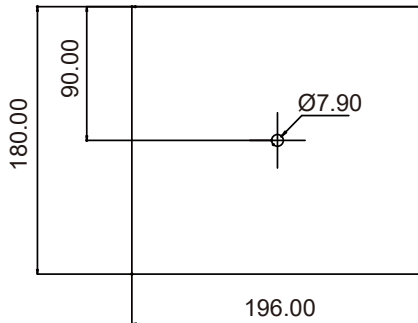
MODEL : Programme 35E/35ET



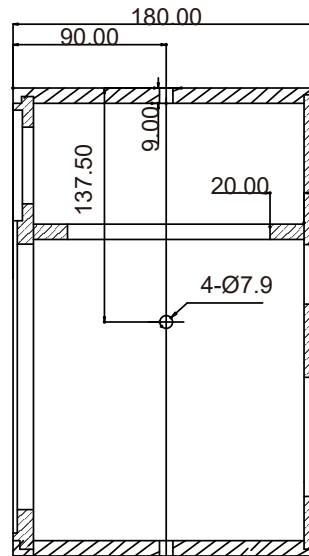
TOP VIEW



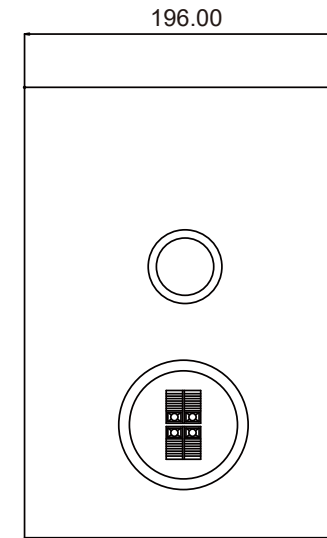
FRONT VIEW



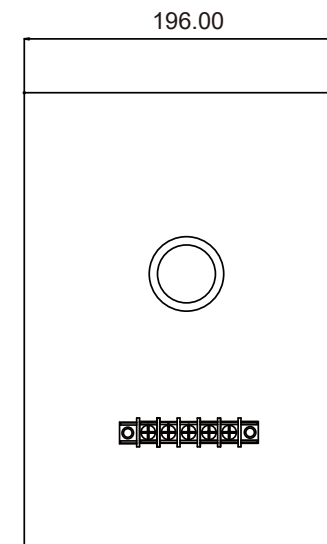
BOTTOM VIEW



SIDE VIEW



REAR VIEW(35E)

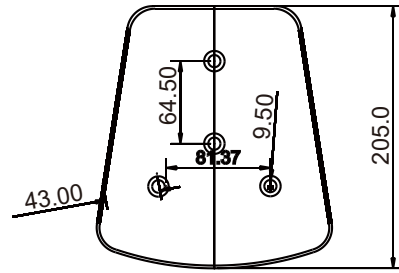


REAR VIEW(35ET)

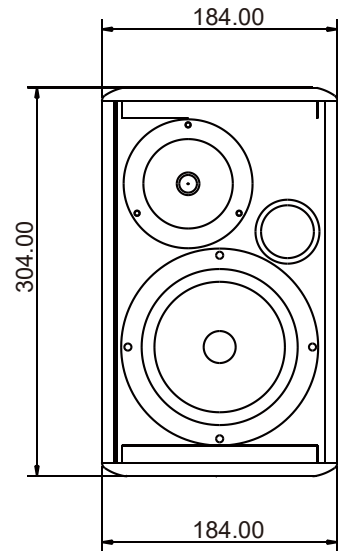
System Type	Passive
Configuration	Two-way
Frequency Response (+/-3 dB)	65 Hz - 20 kHz
Frequency Range (- 10 dB)	60 Hz - 20 kHz
Sensitivity (2.83 v / 1 m)	88 dB
Calculated Maximum SPL @1 m	112 dB
System Rated Impedance	8 Ω
Low Frequency Transducer	
Size	165.1 mm / 6.5"
Voice Coil Size	25.5 mm / 1"
Rated Impedance	8 Ω
LF Power (re:AES2-2012)	60 w
High Frequency Transducer	
HF Driver Type	
Voice Coil Size	25.4 mm / 1"
Exit Size	25.4 mm / 1"
Diaphragm Material	silk Dome
Rated Impedance	8 Ω
HF Power (re:AES2-2012)	10 w
Nominal Coverage (H x V)	70° x 70°
Power	
System Continuous Power	60 w
System Programme Power	120 w
System Peak Power	240 w
Crossover frequency	2.3 kHz
Input Connector	Bare Wire Spring
Hardware	
Rigging	M6 x 4 (Bracket Inc.)
Mounting bracket	Included
Enclosure	
Enclosure Material	MDF
Finish	Black Paint
Grille Material & Finish	Black Full (Cloth)
Dimensions - Unpacked	
Height	275 mm / 10.83"
Width Front	196 mm / 7.72"
Width Rear	196 mm / 7.72"
Depth	192 mm / 7.56"
Dimensions - Packed	
Height	326 mm / 12.8"(pair)
Width Front	488 mm / 19.2"(pair)
Width Rear	488 mm / 19.2"(pair)
Depth	256 mm / 10.1(pair)
Weight	
Net Weight / T-model	6.2 kg / 8.06 kg(pair)
Gross Weight / T-model	8.3 kg / 10.16 kg(pair)



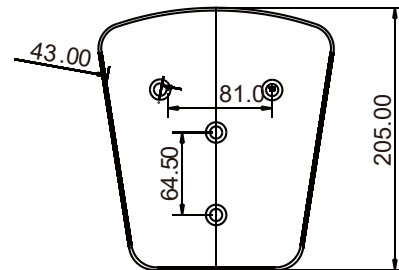
MODEL : Programme 105/105T



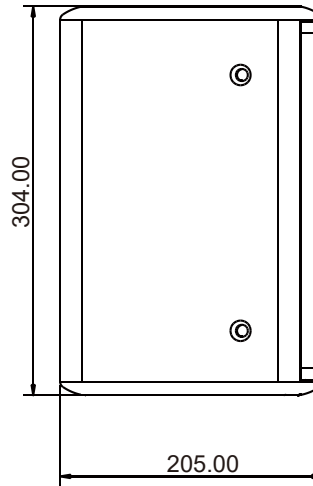
TOP VIEW



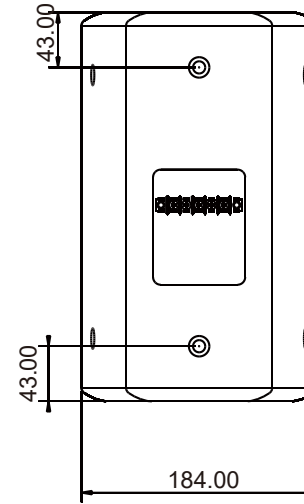
FRONT VIEW



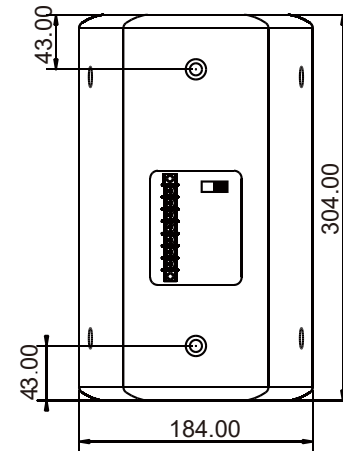
BOTTOM VIEW



SIDE VIEW



REAR VIEW(105)

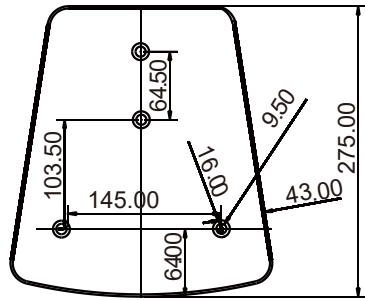


REAR VIEW(105T)

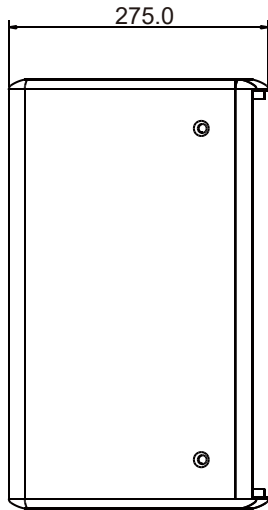
System Type	Passive
Configuration	Two-way
Frequency Response (+/-3 dB)	75 Hz - 20 kHz
Frequency Range (-10 dB)	70 Hz - 20 kHz
Sensitivity (2.83 v / 1 m)	89 dB
Calculated Maximum SPL @1 m	114 dB
System Rated Impedance	8 Ω
Low Frequency Transducer	
Size	127 mm / 5"
Voice Coil Size	25.5 mm / 1"
Rated Impedance	8 Ω
LF Power (re:AES2-2012)	60 w
High Frequency Transducer	
HF Driver Type	
Voice Coil Size	25.4 mm / 1"
Exit Size	25.4 mm / 1"
Diaphragm Material	titanium
Rated Impedance	8 Ω
HF Power (re:AES2-2012)	15 W
Nominal Coverage (H x V)	60° x 60°
Power	
System Continuous Power	80 W
System Programme Power	160 W
System Peak Power	320 W
Crossover frequency	2.3 kHz
Input Connector	Barrier Strip
Hardware	
Rigging	M8 x 14
Mounting bracket	Included
Enclosure	
Enclosure Material	MDF
Finish	Black / White Paint
Grille Material & Finish	Black / White Full (Steel)
Dimensions - Unpacked	
Height	304 mm / 11.97"
Width Front	184 mm / 7.24"
Width Rear	184 mm / 7.24"
Depth	205 mm / 8.07"
Dimensions - Packed	
Height	379 mm / 14.9"
Width Front	250 mm / 9.8"
Width Rear	250 mm / 9.8"
Depth	274 mm / 10.8"
Weight	
Net Weight / T-model	5.22 Kg / 6.3 kg
Gross Weight / T-model	6.59 Kg / 7.7 kg



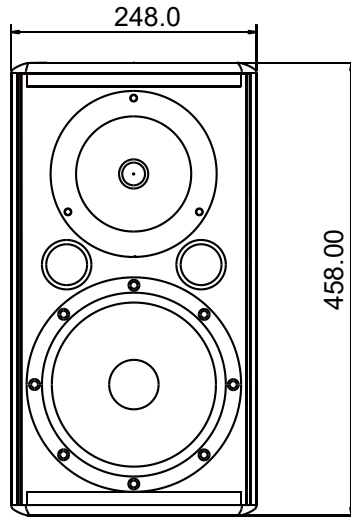
MODEL : Programme 108/108T



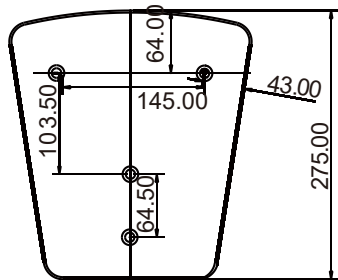
TOP VIEW



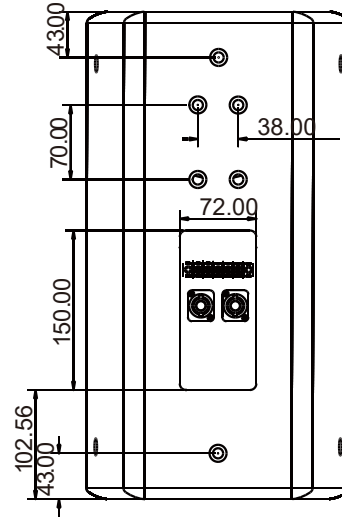
SIDE VIEW



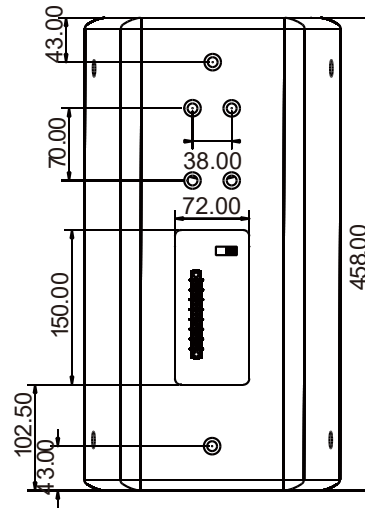
FRONT VIEW



BOTTOM VIEW



REAR VIEW(108)

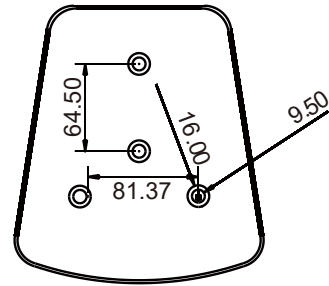


REAR VIEW(108T)

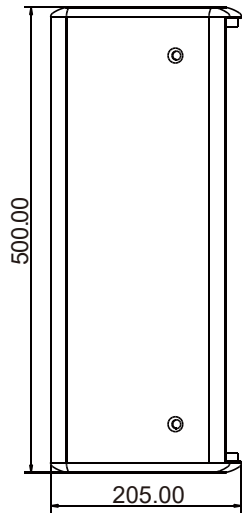
System Type	Passive
Configuration	Two-way
Frequency Response (+/-3 dB)	60 Hz - 20 kHz
Frequency Range (- 10 dB)	55 Hz - 20 kHz
Sensitivity (2.83 v / 1 m)	90 dB
Calculated Maximum SPL @ 1 m	118 dB
System Rated Impedance	8 Ω
Low Frequency Transducer	
Size	203.2 mm / 8"
Voice Coil Size	51.5 mm / 2"
Rated Impedance	8 Ω
LF Power (re:AES2-2012)	150 w
High Frequency Transducer	
HF Driver Type	
Voice Coil Size	25.4 mm / 1"
Exit Size	25.4 mm / 1"
Diaphragm Material	titanium
Rated Impedance	8 Ω
HF Power (re:AES2-2012)	15 W
Nominal Coverage (H x V)	60° x 60°
Power	
System Continuous Power	150 W
System Programme Power	300 W
System Peak Power	600 W
Crossover frequency	2.3 kHz
Input Connector	2 x NL4 (SpeakON Compatible) + Barrier Strip
Hardware	
Rigging	M8 x 18
Mounting bracket	Included
Enclosure	
Enclosure Material	MDF
Finish	Black / White Paint
Grille Material & Finish	Black / White Full (Steel)
Dimensions - Unpacked	
Height	458 mm / 18.03"
Width Front	248 mm / 9.76"
Width Rear	248 mm / 9.76"
Depth	275 mm / 10.83"
Dimensions - Packed	
Height	543 mm / 21.4"
Width Front	311 mm / 12.2"
Width Rear	311 mm / 12.2"
Depth	346 mm / 13.6"
Weight	
Net Weight / T-model	9.34 Kg / 10.8 kg
Gross Weight / T-model	12.66 Kg / 15.16 kg



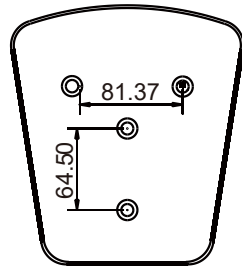
MODEL : Programme 205/205T



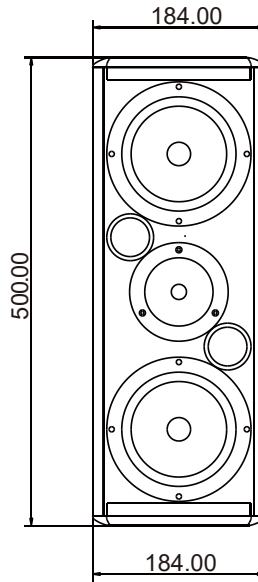
TOP VIEW



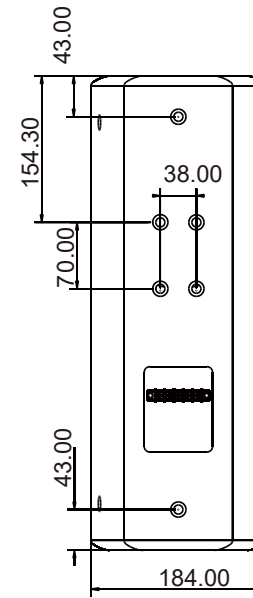
SIDE VIEW



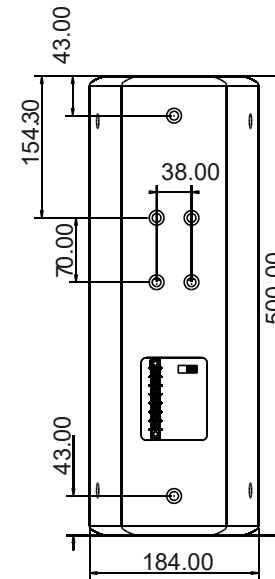
BOTTOM VIEW



FRONT VIEW



REAR VIEW(205)

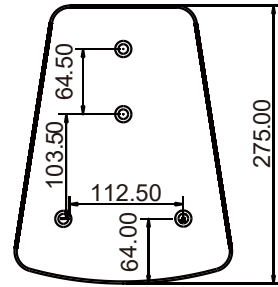


REAR VIEW(205T)

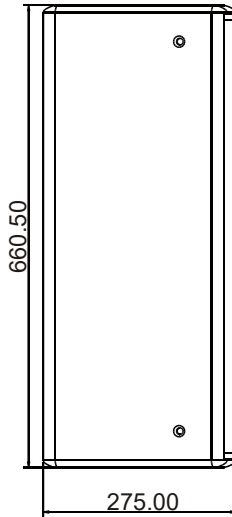
System Type	Passive
Configuration	Two-way
Frequency Response (+/-3 dB)	70 Hz - 20 kHz
Frequency Range (- 10 dB)	65 Hz - 20 kHz
Sensitivity (2.83 v / 1 m)	91 dB
Calculated Maximum SPL @1 m	117 dB
System Rated Impedance	8 Ω
Low Frequency Transducer	
Size	2 x 127 mm / 2 x 5"
Voice Coil Size	25.5 mm / 1"
Rated Impedance	8 Ω
LF Power (re:AES2-2012)	2 X 50 w
High Frequency Transducer	
HF Driver Type	
Voice Coil Size	25.4 mm / 1"
Exit Size	25.4 mm / 1"
Diaphragm Material	titanium
Rated Impedance	8 Ω
HF Power (re:AES2-2012)	15 W
Nominal Coverage (H x V)	60° x 60°
Power	
System Continuous Power	100 W
System Programme Power	200 W
System Peak Power	400 W
Crossover frequency	2.3 kHz
Input Connector	Barrier Strip
Hardware	
Rigging	M8 x 18
Mounting bracket	Included
Enclosure	
Enclosure Material	MDF
Finish	Black / White Paint
Grille Material & Finish	Black / White Full (Steel)
Dimensions - Unpacked	
Height	500 mm / 19.69"
Width Front	184 mm / 7.24"
Width Rear	184 mm / 7.24"
Depth	205 mm / 8.07"
Dimensions - Packed	
Height	585 mm / 23.0"
Width Front	250 mm / 9.8"
Width Rear	250 mm / 9.8"
Depth	274 mm / 10.8"
Weight	
Net Weight / T-model	11.36 Kg / 13.86 kg
Gross Weight / T-model	14.05 Kg / 16.5 kg



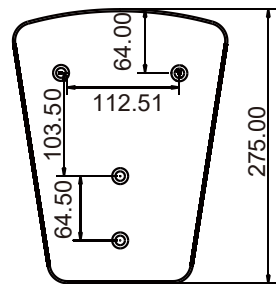
MODEL : Programme 206/206T



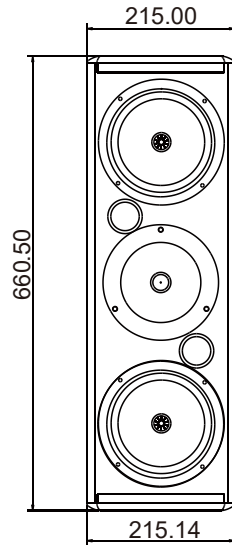
TOP VIEW



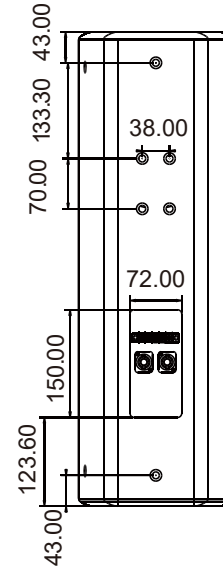
SIDE VIEW



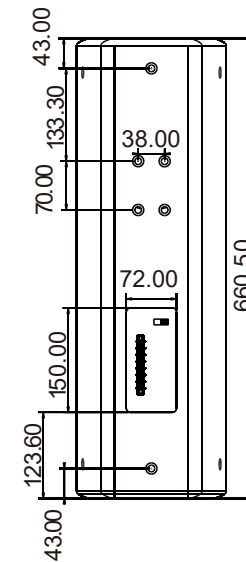
BOTTOM VIEW



FRONT VIEW



REAR VIEW(206)

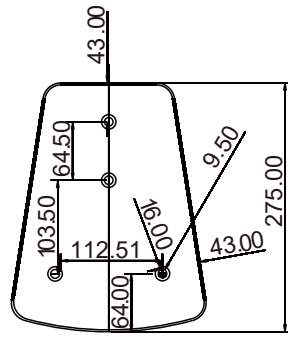


REAR VIEW(206T)

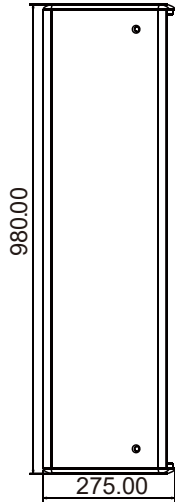
System Type	Passive
Configuration	Two-way
Frequency Response (+/-3 dB)	65 Hz - 20 kHz
Frequency Range (-10 dB)	60 Hz - 20 kHz
Sensitivity (2.83 v / 1 m)	93 dB
Calculated Maximum SPL @1 m	120 dB
System Rated Impedance	8 Ω
Low Frequency Transducer	
Size	2 x 165.1 mm / 2 x 6.5"
Voice Coil Size	25.5 mm / 1"
Rated Impedance	8 Ω
LF Power (re:AES2-2012)	2 x 65 w
High Frequency Transducer	
HF Driver Type	
Voice Coil Size	25.4 mm / 1"
Exit Size	25.4 mm / 1"
Diaphragm Material	titanium
Rated Impedance	8 Ω
HF Power (re:AES2-2012)	15 W
Nominal Coverage (H x V)	60° x 60°
Power	
System Continuous Power	150 W
System Programme Power	300 W
System Peak Power	600 W
Crossover frequency	2.3 kHz
Input Connector	2 x NL4 (SpeakON Compatible) + Barrier Strip
Hardware	
Rigging	M8 x 18
Mounting bracket	Included
Enclosure	
Enclosure Material	MDF
Finish	Black / White Paint
Grille Material & Finish	Black / White Full (Steel)
Dimensions - Unpacked	
Height	660.5 mm / 26"
Width Front	215 mm / 8.46"
Width Rear	215 mm / 8.46"
Depth	275 mm / 10.82"
Dimensions - Packed	
Height	745 mm / 29.3"
Width Front	278 mm / 10.9"
Width Rear	278 mm / 10.9"
Depth	346 mm / 13.6"
Weight	
Net Weight / T-model	17.8 Kg / 20.3 kg
Gross Weight / T-model	20.95 Kg / 23.45 kg



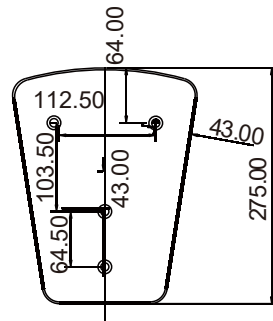
MODEL : Programme 406/406T



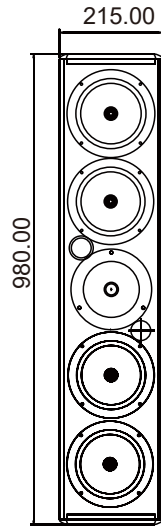
TOP VIEW



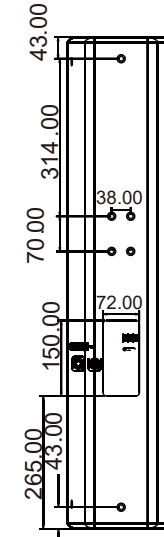
SIDE VIEW



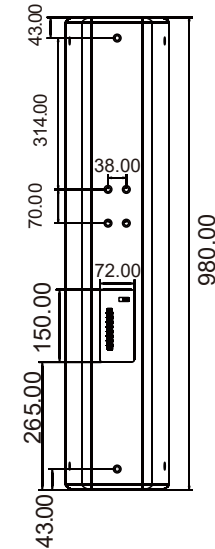
BOTTOM VIEW



FRONT VIEW

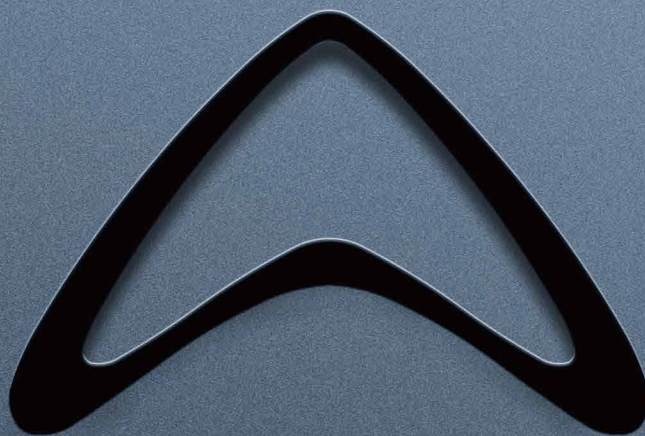


REAR VIEW(406)



REAR VIEW(406T)

System Type	Passive
Configuration	Two-way
Frequency Response (+/-3 dB)	60 Hz - 20 kHz
Frequency Range (-10 dB)	55 Hz - 20 kHz
Sensitivity (2.83 v / 1 m)	96 dB
Calculated Maximum SPL @1 m	126 dB
System Rated Impedance	8 Ω
Low Frequency Transducer	
Size	4 x 165.1 mm / 2 x 6.5"
Voice Coil Size	25.5 mm / 1"
Rated impedance	8 Ω
LF Power (re:AES2-2012)	4 x 65 w
High Frequency Transducer	
HF Driver Type	
Voice Coil Size	25.4 mm / 1"
Exit Size	25.4 mm / 1"
Diaphragm Material	titanium
Rated Impedance	8 Ω
HF Power (re:AES2-2012)	15 W
Nominal Coverage (H x V)	60° x 60°
Power	
System Continuous Power	250 W
System Programme Power	500 W
System Peak Power	1000 W
Crossover frequency	2.3 kHz
Input Connector	2 x NL4 (SpeakON Compatible) + Barrier Strip
Hardware	
Rigging	M8 x 18
Mounting bracket	Included
Enclosure	
Enclosure Material	MDF
Finish	Black / White Paint
Grille Material & Finish	Black / White Full (Steel)
Dimensions - Unpacked	
Height	980 mm / 38.58"
Width Front	215 mm / 8.46"
Width Rear	215 mm / 8.46"
Depth	275 mm / 10.82"
Dimensions - Packed	
Height	1065 mm / 41.9"
Width Front	278 mm / 10.9"
Width Rear	
Depth	346 mm / 13.6"
Weight	
Net Weight / T-model	9.34 Kg / 10.8 kg
Gross Weight / T-model	12.66 Kg / 15.16 kg



WWW.WHARFEDALEPRO.COM

IAG HOUSE, 13/14 GLEBE ROAD, HUNTINGDON, CAMBRIDGESHIRE,
PE29 7DL, UK
TEL: +44(0) 1480 452 561

February 2021