



NEW PRODUCT INFORMATION

NEW

REASON-X SERIES *Reasons to be cheerful...1, 2, 3!*



A NEW THREE-WAY SYSTEM - with matching subs.

Built exclusively to deliver incredible sonic definition at high volumes, Reason-X series brings new concepts and new qualities to become the premium pro audio loudspeaker series in the Wharfedale Pro portfolio.

The full range models (X12 and X15) feature an all-new Polyethylene flat diaphragm neodymium HF. This highly engineered Z38 HF compression driver brings extreme HF clarity. Enormous cooling fins disperse the heat generated and the unique 1.5 inch ring-shaped polyethylene flat diaphragm delivers a precious feeling of space and air to high frequencies.

The 100° x 70° waveguide is also rotatable, making Reason-X suitable for high quality installations and touring.

The mid-range comes from a custom Wharfedale Pro 8" driver with an aluminium basket and ferrite magnet and it delivers a warmth and clarity. Meanwhile, the LF driver boasts a 3.0" voice coil and large $\phi 190\text{mm}$ ferrite magnet. This 3-way combination gives the Reason series full range models a frequency response and audio definition that simply has to be experienced.

3-WAY FULL RANGE MODELS

TWO HUGE SUBWOOFERS

NEW PE HF DRIVERS

WHAT MAKES THEM GREAT?

- 12" and 15" full range 3-way models
- All new Z38 PE HF Compression drivers
- 8.0" mid range
- 3.0" LF coils with $\phi 190\text{mm}$ ferrite magnets
- 2 models of 18" Sub-sub-woofers
- NOMEX subwoofer spiders
- Premium baltic birch construction
- Dust proof foam behind front grilles

The series is completed by 2 subwoofers. A single 18" and a floor destroying 148dB Max SPL dual 18". New LF drivers have been created which feature NOMEX spiders for extreme suspension and durability. 4.0" voice coils and a newly designed aluminium basket make these LF transducers impossible to describe in words - they need listening to instead!

All models are constructed of premium baltic birch and use thick steel front grilles for extreme durability.

REASON-X SERIES.
Put simply...3 is better than 2 !

WHEN ARE THEY AVAILABLE?

Shipping from : **OCTOBER 2020**

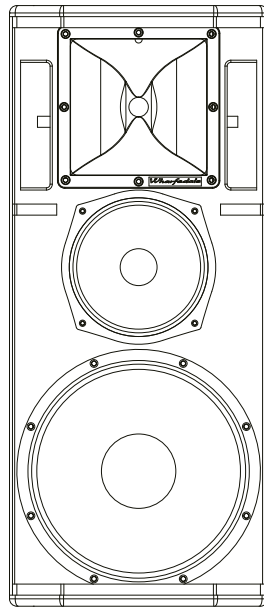




NEW PRODUCT INFORMATION

INTERNAL DISTRIBUTOR USE ONLY. SPECIFICATIONS AND IMAGES SUBJECT TO CHANGE.

131dB

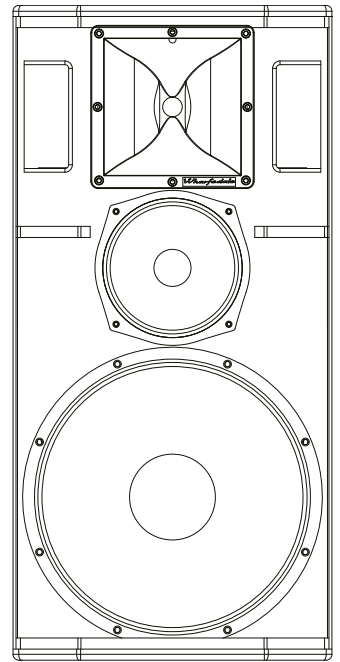


Reason-X12

12" 3-way model
All new Z38 PE HF Compression driver
8.0" mid range
3.0" LF voice coil with ϕ 190mm ferrite magnet
Rotatable horn & 12 x M8 rigging points
Max SPL @1m. 131dB

500w RMS 1000w PRG 2000w PEAK

133dB

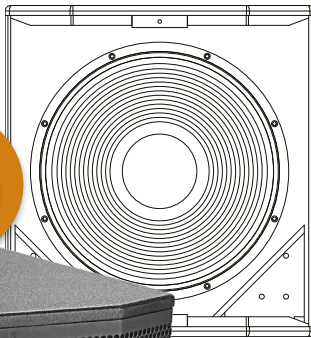


Reason-X15

15" 3-way model
All new Z38 PE HF Compression driver
8.0" mid range
3.0" LF voice coil with ϕ 190mm ferrite magnet
Rotatable horn & 12 x M8 rigging points
Max SPL @1m. 133dB

600w RMS 1200w PRG 2400w PEAK

139dB

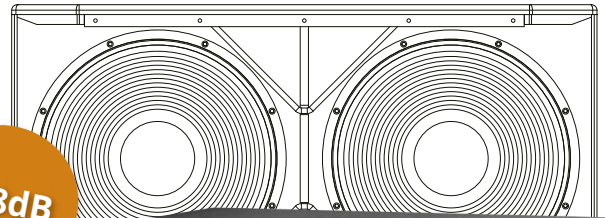


Reason-X18B

18" Subwoofer
Premium baltic birch construction
4.0" voice coil
NOMEX Spider
Aluminium basket

1000w RMS 2000w PRG 4000w PEAK

148dB



Reason-X218B

Dual 18" Subwoofer
Premium baltic birch construction
4.0" voice coils
NOMEX Spiders
Aluminium baskets

2000w RMS 4000w PRG 8000w PEAK

SPECIFICATIONS



Model Name	Reason-X12	Reason-X15	Reason-X18B	Reason-X218B
System Type	Passive	Passive	Passive	Passive
Configuration	Three-way	Three-way	Single Subwoofer	Dual Subwoofer
Frequency Response (+/-3dB)	55-20kHz	45-20kHz	35-1kHz	30-1kHz
Frequency Range (-10dB)	50-20kHz	40-20kHz	30-800Hz	25-800Hz
Sensitivity 2.83V/1M	98 dB	99 dB	103dB	109dB
Calculated Maximum SPL @1M	131dB	133dB	139dB	148dB
System Rated Impedance	8Ω	8Ω	8Ω	4Ω
Low Frequency Transducer				
Size	332mm / 12"	404mm / 15"	470mm / 18"	470mm / 18"
Voice Coil Size	75mm / 3.0"	75mm / 3.0"	102mm / 4"	102mm / 4"
LF Magnet Material	ferrite	ferrite	ferrite	ferrite
LF Frame Material	Aluminium	Aluminium	aluminium	aluminium
Rated Impedance	8Ω	8Ω	8Ω	2 x 8Ω
LF Power re:AES2-2012	400W	500W	1000W	2 x 1000W
Mid Frequency Transducer				
Size	203.8mm / 8"	203.8mm / 8"		
Voice Coil Size	50.8mm / 2.0"	50.8mm / 2.0"		
MF Magnet Material	ferrite	ferrite		
MF Frame Material	Aluminium	Aluminium		
Rated Impedance	8Ω	8Ω		
MF Power re:AES2-2012	100W	100W		
High Frequency Transducer				
HF Driver Type	Compression Driver	Compression Driver		
Coil Size (mm / inches)	38mm / 1.5"	38mm / 1.5"		
Exit Size (mm / inches)	25mm / 1"	25mm / 1"		
HF Magnet Material	NdFeB	NdFeB		
Diaphragm Material	PEN	PEN		
Rated Impedance	8Ω	8Ω		
HF Power re:AES2-2012	40W	40W		
Waveguide Type	square	square		
Nominal Coverage (H x V)	100 x 70	100 x 70		
Nominal Impedance	8Ω	8Ω		
Power				
System Continuous Power (W)	500	600	1000W	2000W
System Programme Power (W)	1000	1200	2000W	4000W
System Peak Power (W)	2000	2400	4000W	8000W
Crossover Frequency	800Hz / 2.7kHz	800Hz / 2.7kHz		
Input Connector	2 x speakON	2 x speakON	2 x speakON	2 x speakON
Rigging	M8 x 12	M8 x 12	No	No
Handles	2	2	2 on Sides	4 on Sides
Enclosure				
Enclosure	35mm pole socket			
Cabinet Type	Trapezoid	Trapezoid	square	square
Enclosure Material and finish	15mm plywood	15mm plywood	18mm plywood	18mm plywood
Colour Options	Black paint	Black paint	black paint	black paint
Grille Material & Finish	Steel	Steel	steel	steel
Dimensions - Unpacked (mm / inches):				
Height	814mm / 32.0"	883mm / 34.8"	600mm / 23.6"	560mm / 22.0"
Width Front	350mm / 13.8"	430mm / 16.9"	560mm / 22.0"	1065mm / 41.9"
Width Rear	231mm / 9.1"	298mm / 11.7"	560mm / 22.0"	1065mm / 41.9"
Depth	410mm / 16.1"	455mm / 17.9"	756mm / 29.8"	756mm / 29.8"
Dimensions - Packed (mm / inches):				
Height	909mm / 35.8"	978mm / 38.5"	670mm / 26.4"	668mm / 26.3"
Width Front	500mm / 19.7"	545mm / 21.5"	829mm / 32.6"	1138mm / 44.8"
Width Rear	500mm / 19.7"	545mm / 21.5"	829mm / 32.6"	1138mm / 44.8"
Depth	440mm / 17.3"	520mm / 20.5"	633mm / 24.9"	829mm / 32.6"
Weight				
Net Weight	29.0kg / 63.8lbs	32.5kg / 71.5lbs	45.5kg / 100.1lbs.	73.8kg / 162.4lbs.
Gross Weight	33.7kg / 74.2lbs	37.5kg / 82.5lbs	55.2kg / 121.4lbs.	87.7kg / 192.9lbs.



Errors and omissions excepted (E&OE) : Wharfedale Pro : 2020

WWW.WHARFEDALEPRO.COM