

SIGMA SERIES DATA SHEETS

MODEL:

SIGMA 8 1

SIGMA 10 2

SIGMA 12 3

SIGMA 15 4

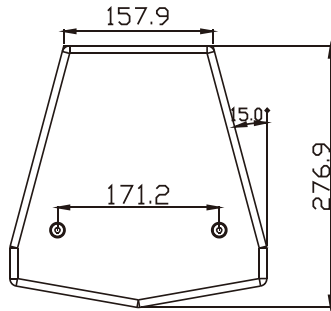
SIGMA 18B 5

SIGMA V4 6

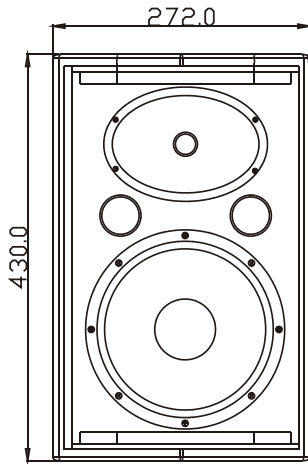
SIGMA V8 7



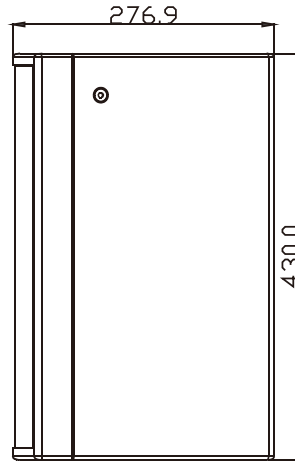
MODEL : **SIGMA 8**



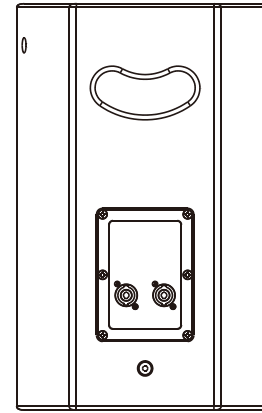
TOP VIEW



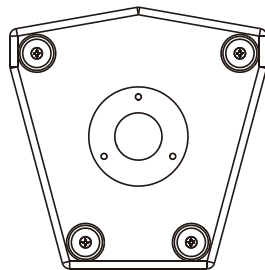
FRONT VIEW



SIDE VIEW



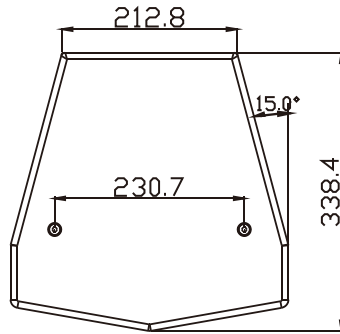
REAR VIEW



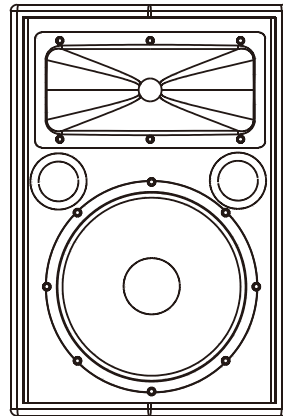
System Type	Passive
Configuration	Two-way
Frequency Response (+/-3dB)	70Hz-18kHz
Frequency Range (-10 dB)	65-20kHz
Sensitivity 2.83V/1m	94 dB
Calculated Maximum SPL @1m	122 dB
System Rated Impedance	8Ω
Low Frequency Transducer:	
Size (mm / inches)	203mm / 8"
Voice Coil Size (mm / inches)	38mm / 1.5"
Rated Impedance	8Ω
LF Power re:AES2-2012	150w
High Frequency Transducer	
HF Driver Type:	Compression Driver
Coil Size (mm / inches)	25mm / 1"
Exit Size (mm / inches)	1"
Diaphragm Material	Polymer
Rated Impedance	8Ω
HF Power re:AES2-2012	25w
Nominal Coverage (H x V)	90° x 60°
Power	
System Continuous Power	150w
System Programme Power	300w
System Peak Power	600w
Crossover frequency	2.8kHz
Input Connector	2 x NL4 (speakON compatible)
Hi Pass output connector	
Pole mount	35mm pole socket
Rigging points	M8 x 5
Hardware	1 handle on back
Enclosure:	
Enclosure Material	12mm MDF
Finish	Black or white
Grille Material & Finish	
Dimensions - Unpacked	
Height	430mm / 17"
Width Front	272mm / 11"
Width Rear	158mm / 6"
Depth	277mm / 13.5"
Dimensions - Packed	
Height	505mm / 20"
Width Front	363mm / 14.25"
Width Rear	196mm / 7.71"
Depth	322mm / 12.75"
Weight	
Net Weight	7.8kg / 17lbs
Gross Weight	8.8kg / 19lbs



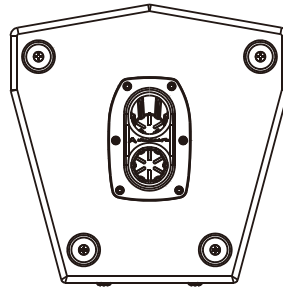
MODEL : **SIGMA 10**



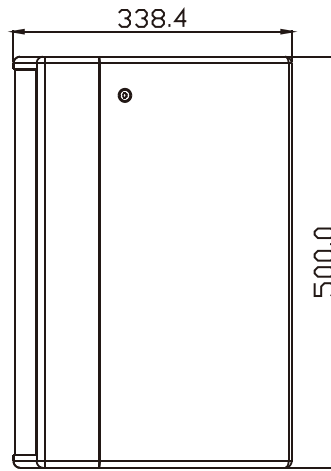
TOP VIEW



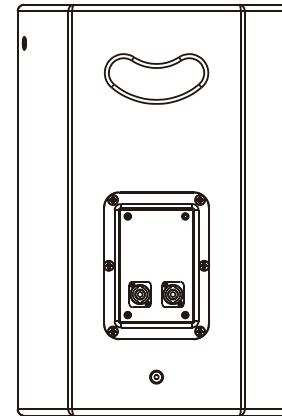
FRONT VIEW



BOTTOM VIEW



SIDE VIEW

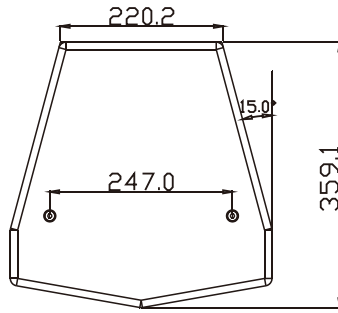


REAR VIEW

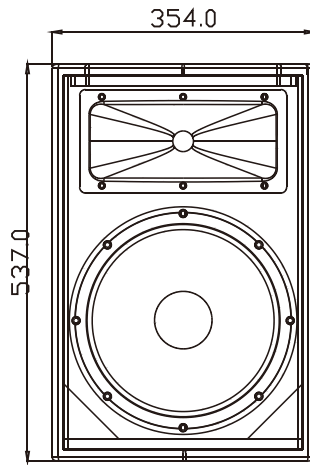
System Type	Passive
Configuration	Two-way
Frequency Response (+/-3dB)	65-18kHz
Frequency Range (-10 dB)	60-20kHz
Sensitivity 2.83v/1m	95 dB
Calculated Maximum SPL @1m	124 dB
System Rated Impedance	8Ω
Low Frequency Transducer:	
Size (mm / inches)	254mm / 10"
Voice Coil Size (mm / inches)	38mm / 1.5"
Rated Impedance	8Ω
LF Power re:AES2-2012	200w
High Frequency Transducer	
HF Driver Type:	Compression Driver
Coil Size (mm / inches)	44mm / 1.75"
Exit Size (mm / inches)	1"
Diaphragm Material	Titanium
Rated Impedance	8Ω
HF Power re:AES2-2012	40w
Nominal Coverage (H x V)	90° x 60°
Power	
System Continuous Power	200w
System Programme Power	400w
System Peak Power	800w
Crossover frequency	2.4kHz
Input Connector	2 x NL4 (speakON compatible)
Hi Pass output connector	
Pole mount	Dual-angle (0° or 10°) 35mm pole
Rigging points	M8 x 5
Hardware	1 handle on back
Enclosure:	
Enclosure Material	15mm MDF
Finish	Black or white
Grille Material & Finish	
1.2mm steel, painted	
Dimensions - Unpacked	
Height	500mm / 19.5"
Width Front	383mm / 13.3"
Width Rear	213mm / 8.4"
Depth	339mm / 13.35"
Dimensions - Packed	
Height	585mm / 23"
Width Front	451mm / 18"
Width Rear	254mm / 10"
Depth	384mm / 13.3"
Weight	
Net Weight	15.4kg / 34lbs
Gross Weight	17.8kg / 38.5lbs



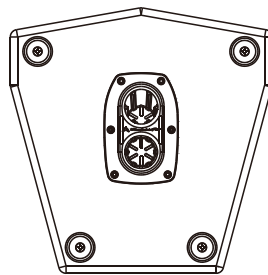
MODEL : **SIGMA 12**



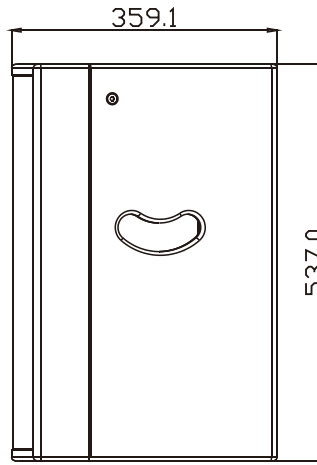
TOP VIEW



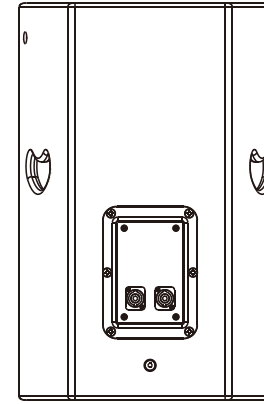
FRONT VIEW



BOTTOM VIEW



SIDE VIEW

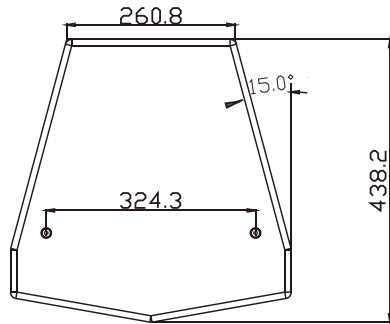


REAR VIEW

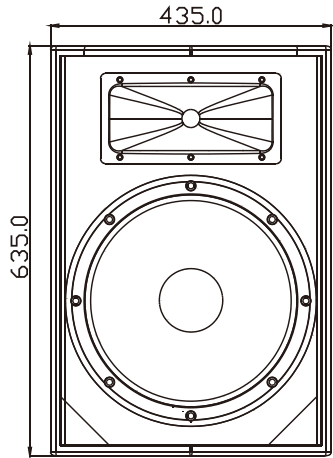
System Type	Passive
Configuration	Two-way
Frequency Response (+/-3dB)	60-18kHz
Frequency Range (-10 dB)	55-20kHz
Sensitivity 2.83v/1m	97 dB
Calculated Maximum SPL @1m	128 dB
System Rated Impedance	8Ω
Low Frequency Transducer:	
Size (mm / inches)	305mm / 12"
Voice Coil Size (mm / inches)	64mm / 2.5"
Rated Impedance	8Ω
LF Power re:AES2-2012	300w
High Frequency Transducer	
HF Driver Type:	Compression Driver
Coil Size (mm / inches)	44mm / 1.75"
Exit Size (mm / inches)	1"
Diaphragm Material	Titanium
Rated Impedance	8Ω
HF Power re:AES2-2012	40w
Nominal Coverage (H x V)	90° x 60°
Power	
System Continuous Power	300w
System Programme Power	600w
System Peak Power	1200w
Crossover frequency	2.2kHz
Input Connector	2 x NL4 (speakON compatible)
Hi Pass output connector	
Pole mount	Dual-angle (0° or 10°) 35mm pole
Rigging points	M8 x 5
Hardware	2 handles on sides
Enclosure:	
Enclosure Material	15mm MDF
Finish	Black or white
Grille Material & Finish	
Dimensions - Unpacked	
Height	537mm / 21"
Width Front	354mm / 14"
Width Rear	218mm / 8"
Depth	359mm / 14"
Dimensions - Packed	
Height	625mm / 24.6"
Width Front	468mm / 18.4"
Width Rear	260mm / 10.2"
Depth	404mm / 15.9"
Weight	
Net Weight	18.2kg / 40lbs
Gross Weight	20.9kg / 45lbs



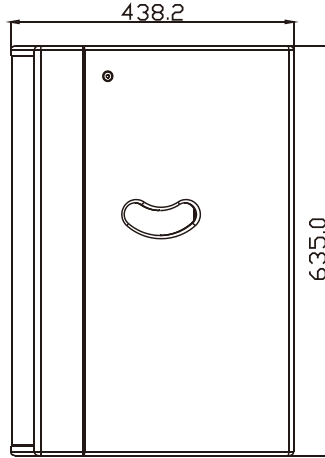
MODEL : **SIGMA 15**



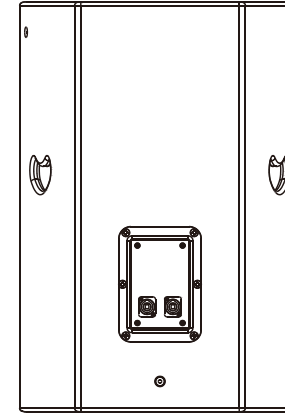
TOP VIEW



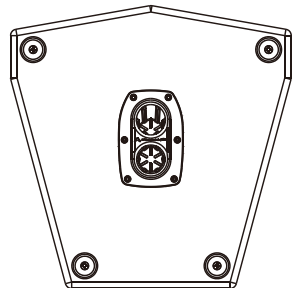
FRONT VIEW



SIDE VIEW



REAR VIEW

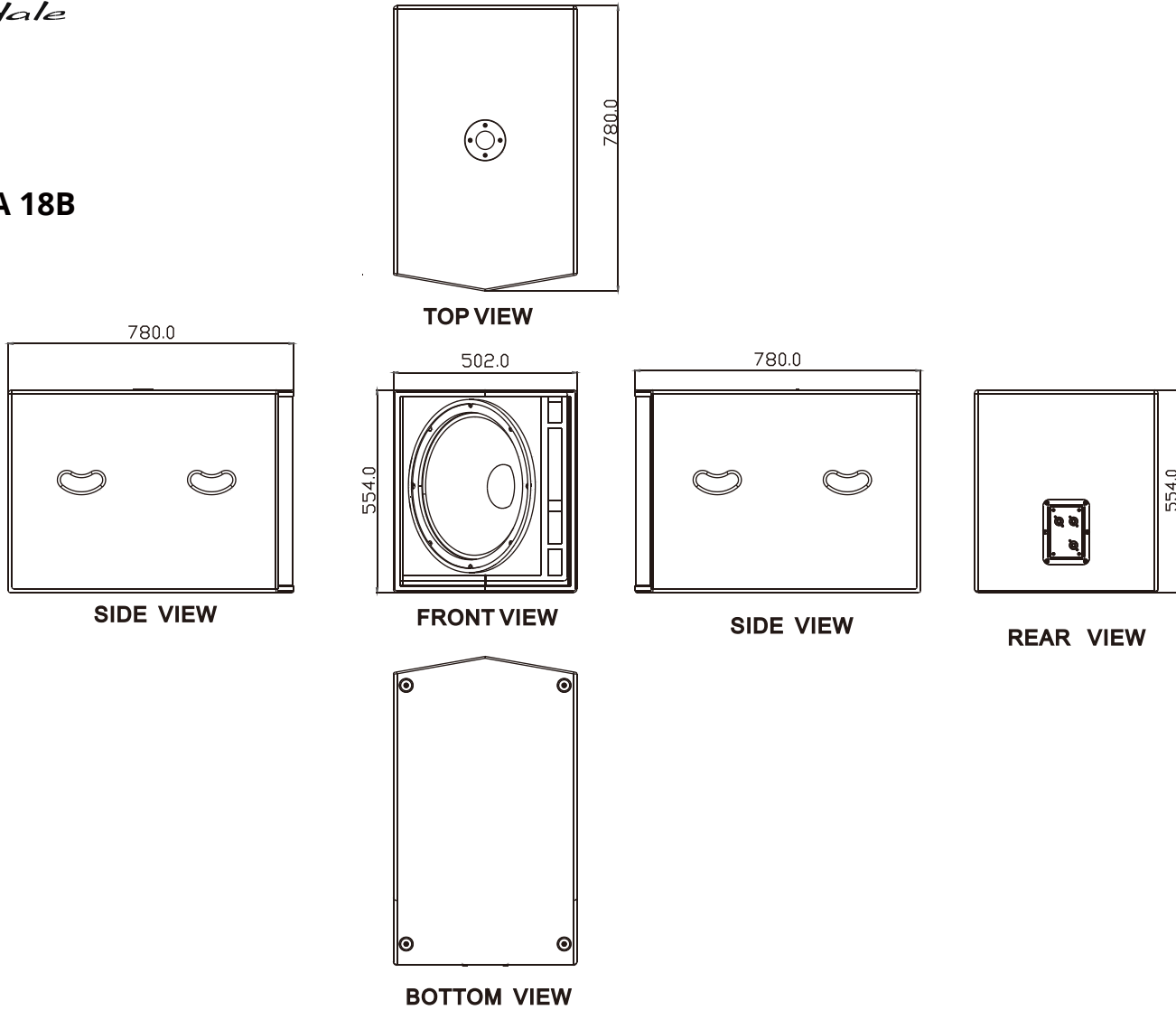


BOTTOM VIEW

System Type	Passive
Configuration	Two-way
Frequency Response (+/-3dB)	50-18kHz
Frequency Range (-10 dB)	45-20kHz
Sensitivity 2.83v/1m	98 dB
Calculated Maximum SPL @1m	129 dB
System Rated Impedance	8Ω
Low Frequency Transducer:	
Size (mm / inches)	381mm / 15"
Voice Coil Size (mm / inches)	64mm / 2.5"
Rated Impedance	8Ω
LF Power re:AES2-2012	350w
High Frequency Transducer	
HF Driver Type:	Compression Driver
Coil Size (mm / inches)	44mm / 1.75"
Exit Size (mm / inches)	1"
Diaphragm Material	Titanium
Rated Impedance	8Ω
HF Power re:AES2-2012	40w
Nominal Coverage (H x V)	90° x 60°
Power	
System Continuous Power	350w
System Programme Power	700w
System Peak Power	1400w
Crossover frequency	2.2kHz
Input Connector	2 x NL4 (speakON compatible)
Hi Pass output connector	
Pole mount	Dual-angle (0° or 10°) 35mm pole
Rigging points	M8 x 5
Hardware	2 handles on sides
Enclosure:	
Enclosure Material	15mm MDF
Finish	Black or white
Grille Material & Finish	
Dimensions - Unpacked	
Height	635mm / 25"
Width Front	435mm / 17"
Width Rear	261mm / 11.7"
Depth	439mm / 17.25"
Dimensions - Packed	
Height	720mm / 28.35"
Width Front	553mm / 21.75"
Width Rear	303mm / 12"
Depth	488mm / 19.2"
Weight	
Net Weight	23.4kg / 51.5lbs
Gross Weight	26.7kg / 58.7lbs



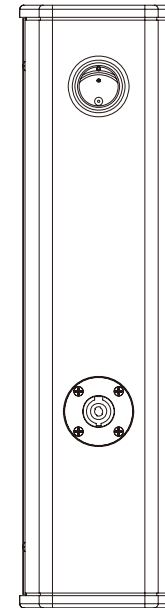
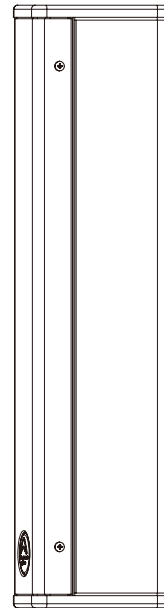
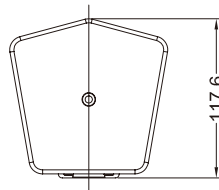
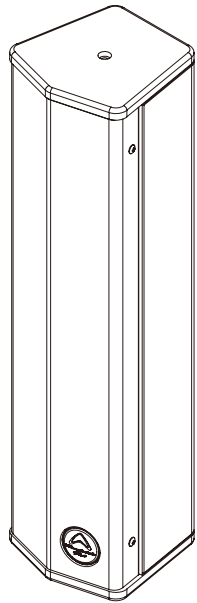
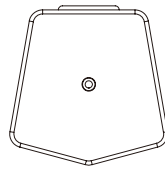
MODEL : **SIGMA 18B**



System Type	Passive
Configuration	Subwoofer
Frequency Response (+/-3dB)	35-250HZ
Frequency Range (-10 dB)	30-250HZ
Sensitivity 2.83v/1m	100 dB
Calculated Maximum SPL @1m	133 dB
System Rated Impedance	4Ω
Low Frequency Transducer:	
Size (mm / inches)	457mm / 18"
Voice Coil Size (mm / inches)	64mm / 2.5"
Rated Impedance	4Ω
LF Power re:AES2-2012	500w
High Frequency Transducer	
HF Driver Type:	na
Coil Size (mm / inches)	na
Exit Size (mm / inches)	na
Diaphragm Material	na
Rated Impedance	na
HF Power re:AES2-2012	na
Nominal Coverage (H x V)	na
Power	
System Continuous Power	500w
System Programme Power	1000w
System Peak Power	2000w
Crossover frequency	150Hz
Input Connector	2 x NL4 (speakON compatible)
Hi Pass output connector	1 x NL4 (speakON compatible)
Pole mount	35mm pole socket
Rigging points	-
Hardware	4 handles on sides
Enclosure:	
Enclosure Material	18mm MDF
Finish	Black or white
Grille Material & Finish	1.2mm steel, painted
Dimensions - Unpacked	
Height	554mm / 21.25"
Width Front	502mm / 20"
Width Rear	502mm / 20"
Depth	780mm / 30.8"
Dimensions - Packed	
Height	649mm / 25.5"
Width Front	588mm / 22.75"
Width Rear	588mm / 22.75"
Depth	865mm / 34"
Weight	
Net Weight	39.1kg / 86lbs
Gross Weight	46.4kg / 102lbs



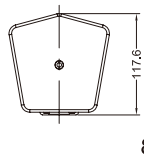
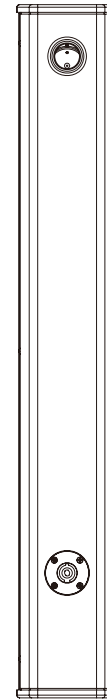
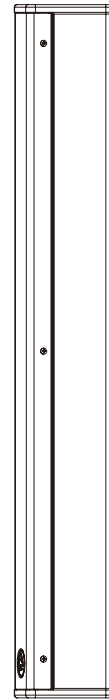
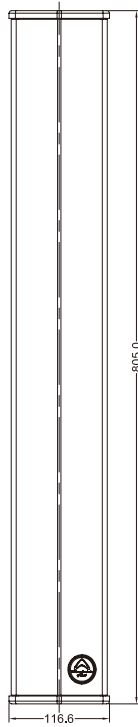
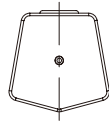
MODEL : **SIGMA V4**



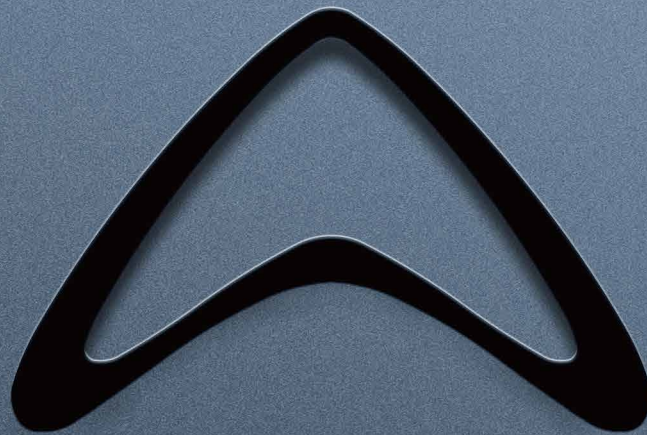
System Type	Passive
Configuration	Full Range
Frequency Response (+/-3dB)	160Hz-17kHz
Frequency Range (-10 dB)	150Hz-20kHz
Sensitivity 2.83V/1m	95 dB
Calculated Maximum SPL @1m	123 dB
System Rated Impedance	8Ω
Low Frequency Transducer:	
Size (mm / inches)	4 x 75mm / 3"
Voice Coil Size (mm / inches)	33mm / 1.3"
Rated Impedance	8Ω
LF Power re:AES2-2012	40w
High Frequency Transducer	
HF Driver Type:	na
Coil Size (mm / inches)	na
Exit Size (mm / inches)	na
Diaphragm Material	na
Rated Impedance	na
HF Power re:AES2-2012	na
Nominal Coverage (H x V)	160° x 40°
Power	
System Continuous Power	150w
System Programme Power	300w
System Peak Power	600w
Crossover frequency	na
Input Connector	1 x NL4 (speakON compatible)
Hi Pass output connector	
Pole mount	Bracket (included)
Rigging points	-
Hardware	
Enclosure:	
Enclosure Material	12mm MDF
Finish	Black or white
Grille Material & Finish	
Dimensions - Unpacked	
Height	445mm / 17.5"
Width Front	116mm / 4.6"
Width Rear	85mm / 3.3"
Depth	
Dimensions - Packed	
Height	520mm / 20.5"
Width Front	220mm / 8.7"
Width Rear	220mm / 8.7"
Depth	
Weight	
Net Weight	3kg / 6.6lbs
Gross Weight	3.6kg / 8lbs



MODEL : **SIGMA V8**



System Type	Passive
Configuration	Full Range
Frequency Response (+/-3dB)	130Hz-17kHz
Frequency Range (-10 dB)	120Hz-20kHz
Sensitivity 2.83V/1m	97 dB
Calculated Maximum SPL @1m	128 dB
System Rated Impedance	8Ω
Low Frequency Transducer:	
Size (mm / inches)	8 x 75mm / 3"
Voice Coil Size (mm / inches)	33mm / 1.3"
Rated Impedance	4Ω
LF Power re:AES2-2012	40w
High Frequency Transducer	
HF Driver Type:	na
Coil Size (mm / inches)	na
Exit Size (mm / inches)	na
Diaphragm Material	na
Rated Impedance	na
HF Power re:AES2-2012	na
Nominal Coverage (H x V)	160° x 30°
Power	
System Continuous Power	300w
System Programme Power	600w
System Peak Power	1200w
Crossover frequency	na
Input Connector	1 x NL4 (speakON compatible)
Hi Pass output connector	
Pole mount	Bracket (included)
Rigging points	-
Hardware	
Enclosure:	
Enclosure Material	12mm MDF
Finish	Black or white
Grille Material & Finish	
Dimensions - Unpacked	
Height	805mm / 32"
Width Front	116mm / 4.6"
Width Rear	85mm / 3.3"
Depth	115mm / 4.5"
Dimensions - Packed	
Height	880mm / 34.5"
Width Front	220mm / 8.7"
Width Rear	220mm / 8.7"
Depth	220mm / 8.7"
Weight	
Net Weight	5.6kg / 12.32lbs
Gross Weight	6.6kg / 14.2lbs



WWW.WHARFEDALEPRO.COM

IAG HOUSE, 13/14 GLEBE ROAD, HUNTINGDON, CAMBRIDGESHIRE,
PE29 7DL, UK
TEL: +44(0) 1480 452 561