

TYPHON DATA SHEETS

MODEL:

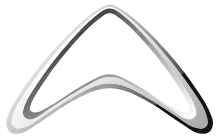
Typhon-AX8 1

Typhon-AX8-BT 2

Typhon-AX12 3

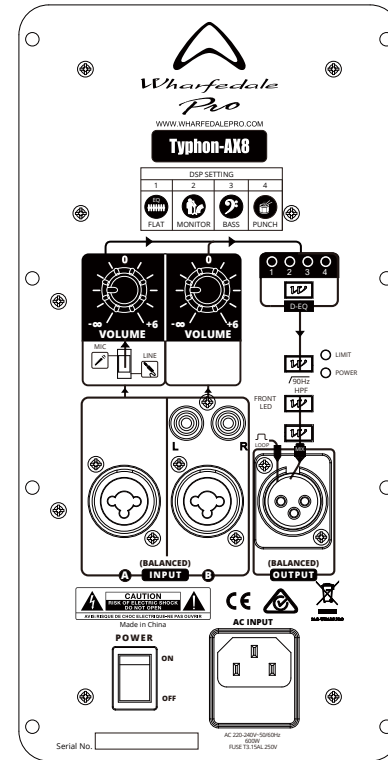
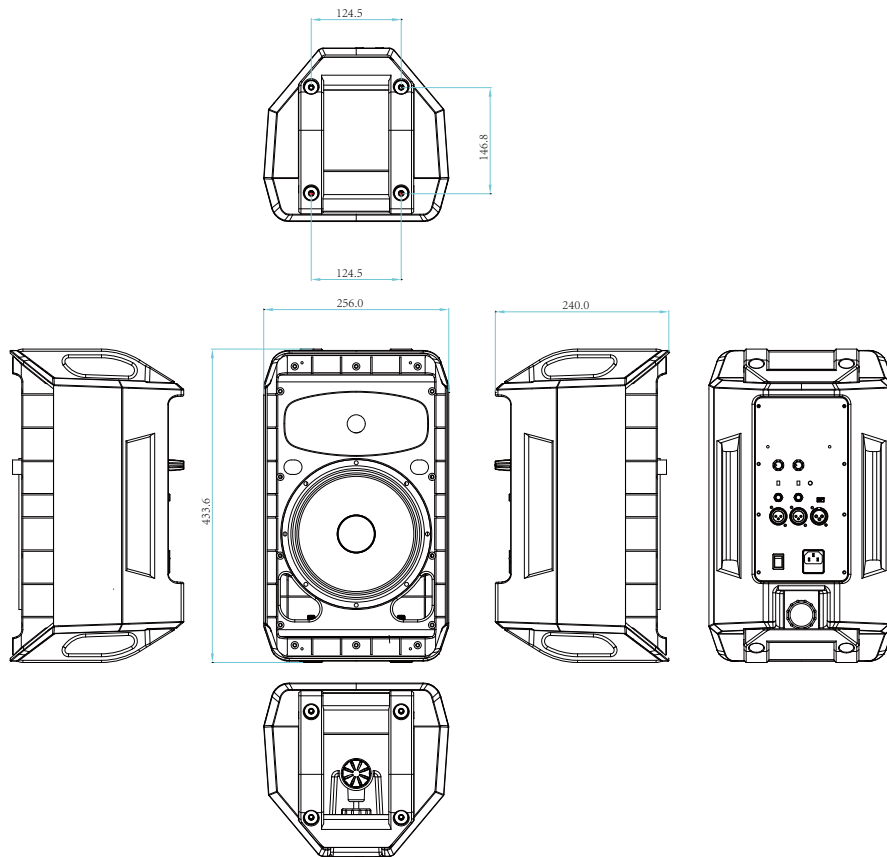
Typhon-AX12-BT 4

T-Sub-AX15B 5



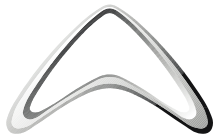
Wharfedale
Pro

MODEL : Typhon-AX8



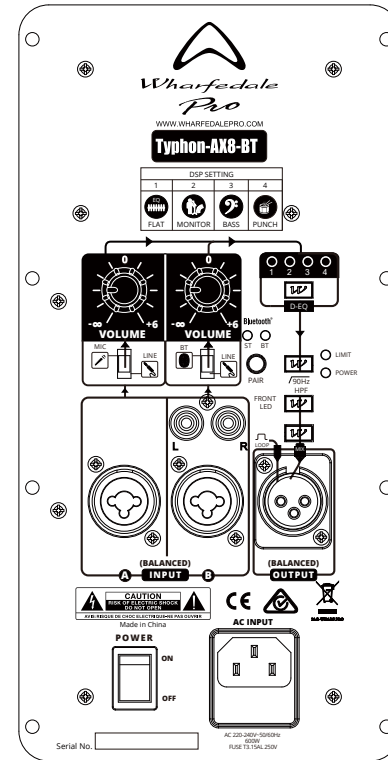
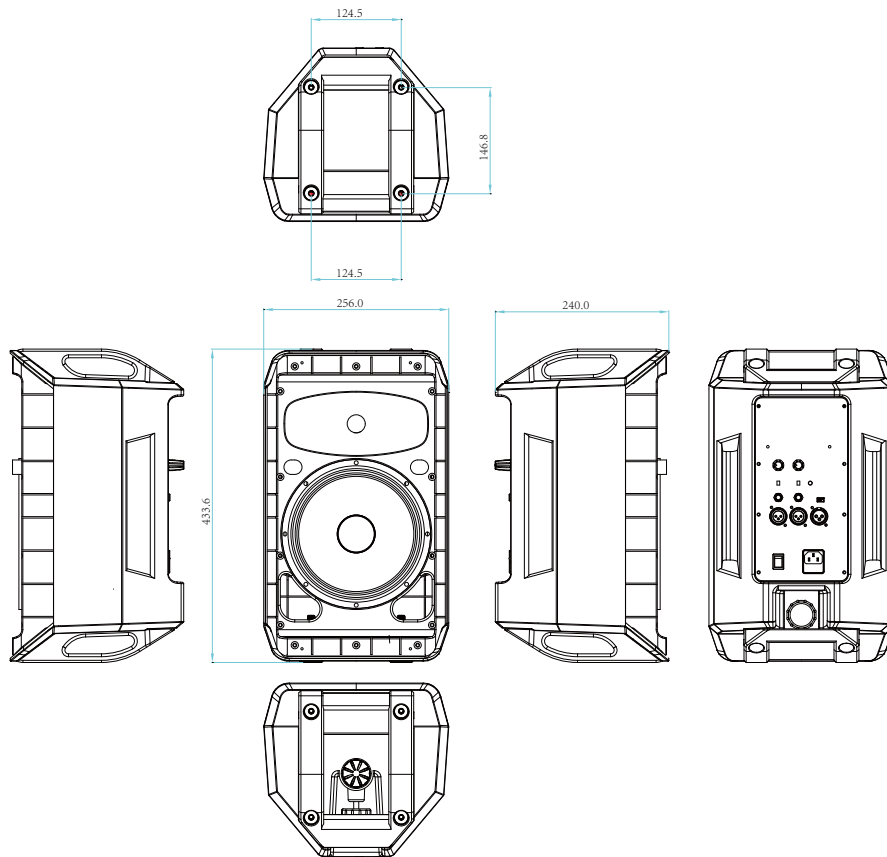
Rear Panel

Model Name	Typhon-AX8
System Type	Active 8" 2-way
Frequency Response (+/-3dB)	65Hz-20KHz
Frequency Range (-10 dB)	60Hz-20KHz
Maximum SPL (peak @1m)	127dB
Sensitivity (@ 1W / 1m)	96dB
Low Frequency Transducer	
Size (mm / inches)	203.8mm / 8"
Voice-Coil Size (mm / inches)	65mm / 2.5"
Rated Impedance	4Ω
High Frequency Transducer	
HF Driver Type	Compression Driver
Coil Size (mm / inches)	44mm / 1.75"
Exit Size (mm / inches)	25mm / 1"
Diaphragm Material	Titanium
Rated Impedance	8Ω
Nominal Coverage (H x V)	Hybrid Symmetry Horn 100° x 80°
Amplifiers	
Amplifiers	2 x Class D
Power Rating:	1440W Peak (1200W LF + 240W HF), 720W Continuous (600W LF + 120W HF)
DSP Controls--D-EQ	
Amplifier Protection	FLAT/MONITOR/BASS/PUNCH
Power On Protection	Yes
Thermal Protection	Yes
Low Line Voltage Shut Down	Yes
Driver Protection	Yes
DC Protection	Yes
Short Protection	Yes
Clip Limiter	Yes
Limiter Indicator	Yes
Power Indicator	Yes
Inputs	
Input A - type	Balance / RCA
Input Sensitivity	775mV (0dBu)
Maximum Input Level	4V
Input Connectors	2 x XLR, 2 x 6.3mm, 2 x RCA (Line/MIC)
Input Impedance	20K ohms
Line Output	
Line Output Connector	XLR
Loop Gain	0dB
AC Power details	
Power Supply	220-240VAC / 100-120VAC 50/60Hz
Rigging / Bracket / Mounting Options	
Handles	4 carry handles (on top and bottom side)
Enclosure	
Enclosure Material and finish	Injection Moulded Polypropylene
Colour Options	Black paint
Grille Material & Finish	steel
Dimensions - Unpacked (mm / inches):	
Height	433.6mm / 17.1"
Width Front	256mm / 10.1"
Width Rear	100.1mm / 3.9"
Depth	240mm / 9.5"
Dimensions - Packed (mm / inches):	
Height	509mm / 20.0"
Width Front	326mm / 12.8"
Width Rear	326mm / 12.8"
Depth	310mm / 12.2"
Net Weight (kg / lbs)	10.7kg / 23.5lbs
Gross Weight (kg / lbs)	12.7kg / 27.9lbs



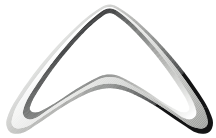
Wharfedale
Pro

MODEL : **Typhon-AX8-BT**



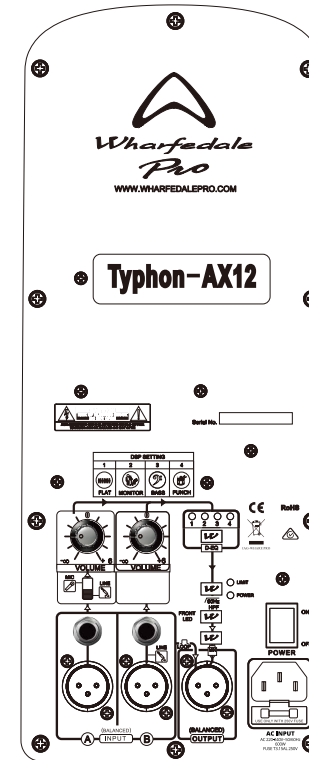
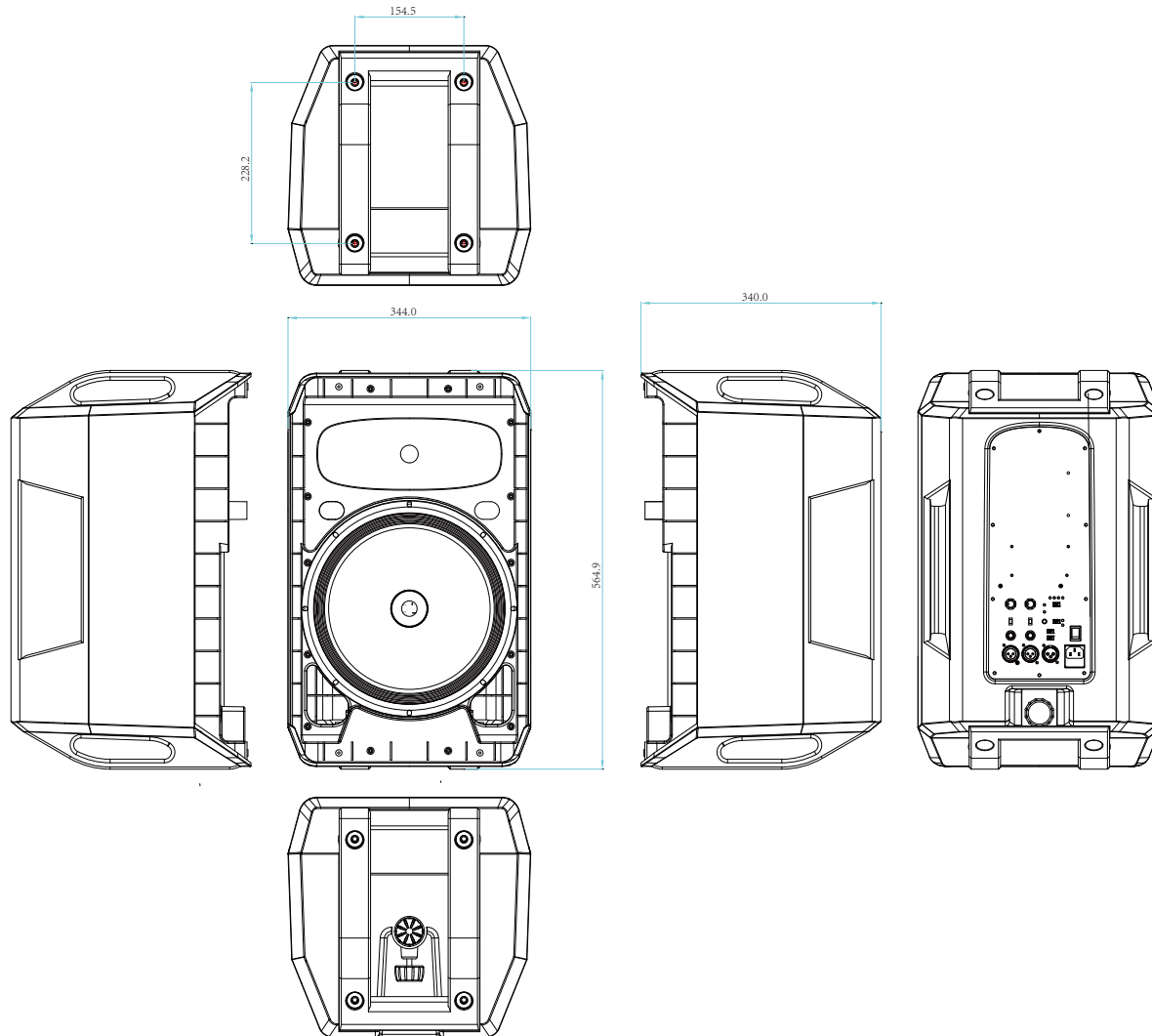
Rear Panel

Model Name	Typhon-AX8-BT
System Type	Active 8" 2-way
Frequency Response (+/-3dB)	65Hz-20KHz
Frequency Range (-10 dB)	60Hz-20KHz
Maximum SPL (peak @1m)	127dB
Sensitivity (@ 1W / 1m)	96dB
Low Frequency Transducer	
Size (mm / inches)	203.8mm / 8"
Voice-Coil Size (mm / inches)	65mm / 2.5"
Rated Impedance	4Ω
High Frequency Transducer	
HF Driver Type	Compression Driver
Coil Size (mm / inches)	44mm/1.75"
Exit Size (mm / inches)	25mm/1"
Diaphragm Material	Titanium
Rated Impedance	8Ω
Nominal Coverage (H x V)	Hybrid Symmetry Horn 100° x 80°
Amplifiers	
Amplifiers	2 x Class D
Power Rating:	140W Peak (1200W LF + 240W HF), 720W Continuous (600W LF + 120W HF)
DSP Controls—D-EQ	
Amplifier Protection	FLAT/MONITOR/BASS/PUNCH
Power On Protection	Yes
Thermal Protection	Yes
Low Line Voltage Shut Down	Yes
Driver Protection	Yes
DC Protection	Yes
Short Protection	Yes
Clip Limiter	Yes
Limiter Indicator	Yes
Power Indicator	Yes
Inputs	
Input A - type	Balanced/RCA/Bluetooth(apX,with link Stereo)
Input Sensitivity	775mV (0dBu)
Maximum Input Level	4V
Input Connectors	2 x XLR, 2 x 6.3mm, 2 x RCA (Line/MIC)
Input Impedance	20K ohms
Line Output	
Line Output Connector	XLR
Loop Gain	0dB
AC Power details	
Power Supply	220-240VAC / 100-120VAC 50/60Hz
Rigging / Bracket / Mounting Options	
Handles	4 carry handles (on top and bottom side)
Enclosure	
Enclosure Material and finish	Injection Moulded Polypropylene
Colour Options	Black paint
Grille Material & Finish	steel
Dimensions - Unpacked (mm / inches):	
Height	433.6mm / 17.1"
Width Front	256mm / 10.1"
Width Rear	100.1mm / 3.9"
Depth	240mm / 9.5"
Dimensions - Packed (mm / inches):	
Height	509mm / 20.0"
Width Front	326mm / 12.8"
Width Rear	326mm / 12.8"
Depth	310mm / 12.2"
Net Weight (kg / lbs)	10.7kg / 23.5lbs
Gross Weight (kg / lbs)	12.7kg / 27.9lbs



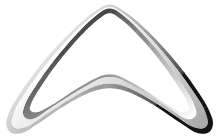
Wharfedale
Pro

MODEL : **Typhon-AX12**



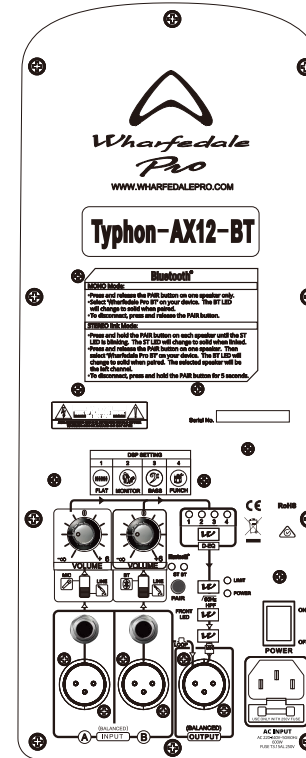
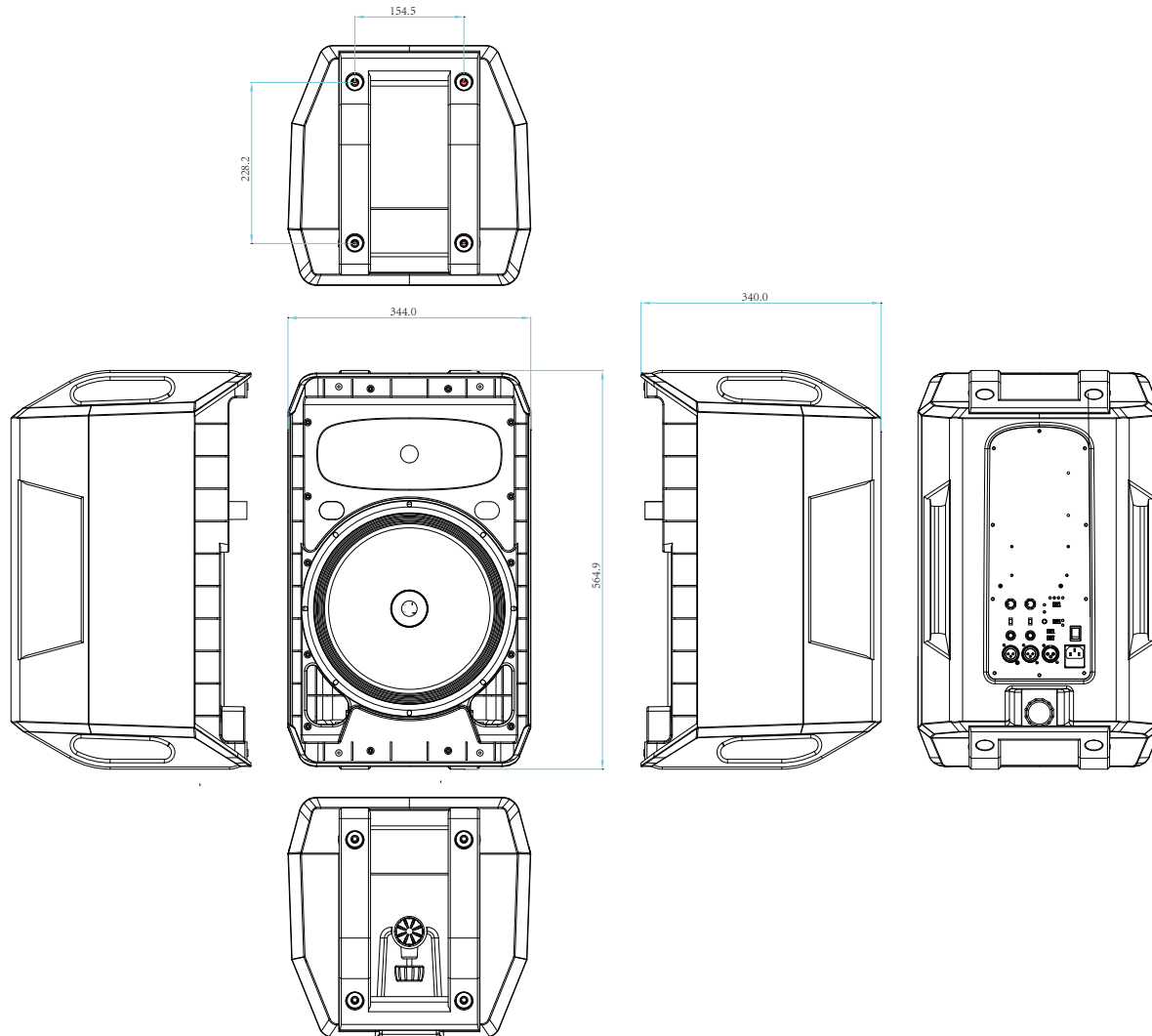
Rear Panel

Model Name	Typhon-AX12
System Type	Active 12" 2-way
Frequency Response (+/-3dB)	55Hz-20KHz
Frequency Range (-10 dB)	50Hz-20KHz
Maximum SPL (peak @1m)	129dB
Sensitivity (@ 1W / 1m)	98dB
Low Frequency Transducer	
Size (mm / inches)	305mm / 12"
Voice-Coil Size (mm / inches)	65mm / 2.5"
Rated Impedance	4Ω
High Frequency Transducer	
HF Driver Type	Compression Driver
Coil Size (mm / inches)	44mm / 1.75"
Exit Size (mm / inches)	25mm / 1"
Diaphragm Material	Titanium
Rated Impedance	8Ω
Nominal Coverage (H x V)	Hybrid Symmetry Horn 100° x 80°
Amplifiers	
Amplifiers	2 x Class D
Power Rating:	140W Peak (1200W LF + 240W HF), 720W Continuous (600W LF + 120W HF)
DSP Controls--D-EQ	FLAT/MONITOR/BASS/PUNCH
Amplifier Protection	
Power On Protection	Yes
Thermal Protection	Yes
Low Line Voltage Shut Down	Yes
Driver Protection	Yes
DC Protection	Yes
Short Protection	Yes
Clip Limiter	Yes
Limiter Indicator	Yes
Power Indicator	Yes
Inputs	
Input A - type	Balanced
Input Sensitivity	775mV (0dBu)
Maximum Input Level	4V
Input Connectors	2 x XLR, 2 x 6.3mm (Line/MIC)
Input Impedance	20K ohms
Line Output	
Line Output Connector	XLR
Loop Gain	0dB
AC Power details	
Power Supply	220-240VAC / 100-120VAC 50/60Hz
Rigging / Bracket / Mounting Options	9 x M8 threaded inserts Pole-mount receptacle with lock screw Optional WPB-2 wall-mount bracket
Handles	
Handles	4 carry handles (on top and bottom side)
Enclosure	
Enclosure Material and finish	Injection Moulded Polypropylene
Colour Options	Black paint
Grille Material & Finish	steel
Dimensions - Unpacked (mm / inches):	
Height	558mm / 22.0"
Width Front	344mm / 13.6"
Width Rear	245mm / 9.6"
Depth	340mm / 13.4"
Dimensions - Packed (mm / inches):	
Height	645mm / 25.4"
Width Front	425mm / 16.7"
Width Rear	425mm / 16.7"
Depth	419mm / 16.5"
Net Weight (kg / lbs)	16.2kg / 35.6lbs
Gross Weight (kg / lbs)	18.9kg / 41.6lbs



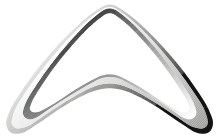
Wharfedale
Pro

MODEL : Typhon-AX12-BT



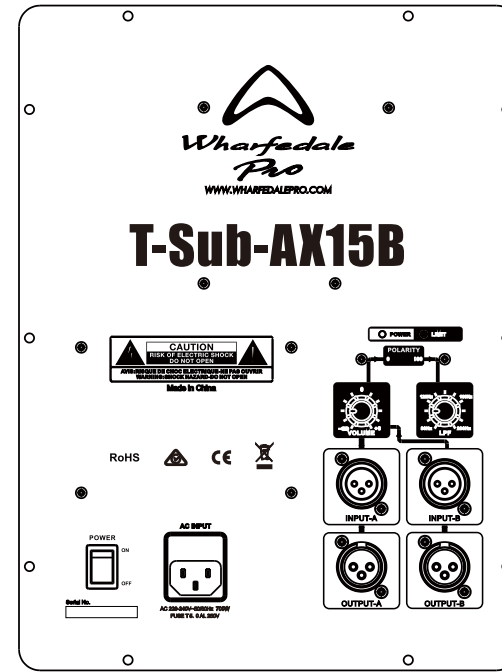
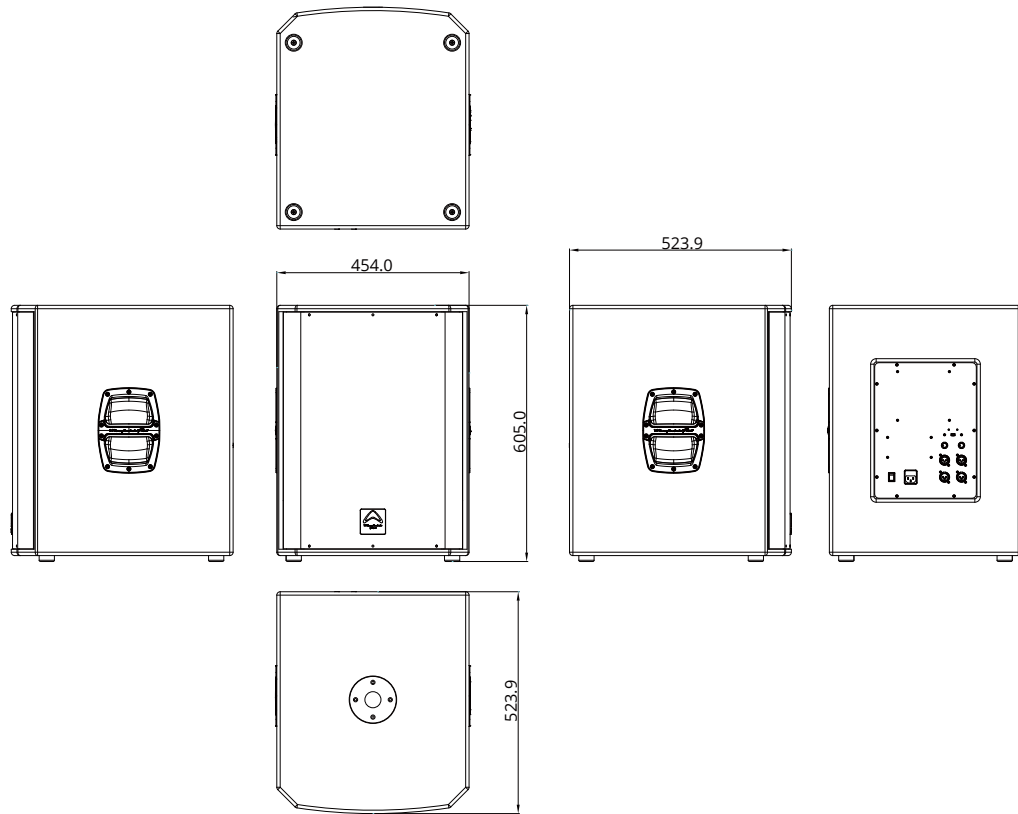
Rear Panel

Model Name	Typhon-AX12-BT
System Type	Active 12" 2-way
Frequency Response (+/-3dB)	55Hz-20KHz
Frequency Range (-10 dB)	50Hz-20KHz
Maximum SPL (peak @1m)	129dB
Sensitivity (@ 1W / 1m)	98dB
Low Frequency Transducer	
Size (mm / inches)	305mm / 12"
Voice-Coil Size (mm / inches)	65mm / 2.5"
Rated Impedance	4Ω
High Frequency Transducer	
HF Driver Type	Compression Driver
Coil Size (mm / inches)	44mm / 1.75"
Exit Size (mm / inches)	25mm / 1"
Diaphragm Material	Titanium
Rated Impedance	8Ω
Nominal Coverage (H x V)	Hybrid Symmetry Horn 100° x 80°
Amplifiers	
Amplifiers	2 x Class D
Power Rating:	140W Peak (1200W LF + 240W HF), 720W Continuous (600W LF + 120W HF)
DSP Controls--D-EQ	FLAT/MONITOR/BASS/PUNCH
Amplifier Protection	
Power On Protection	Yes
Thermal Protection	Yes
Low Line Voltage Shut Down	Yes
Driver Protection	Yes
DC Protection	Yes
Short Protection	Yes
Clip Limiter	Yes
Limiter Indicator	Yes
Power Indicator	Yes
Inputs	
Input A - type	Balanced/Bluetooth(aptX,with Link Stereo)
Input Sensitivity	775mV (0dBu)
Maximum Input Level	4V
Input Connectors	2 x XLR, 2 x 6.3mm (Line/MIC)
Input Impedance	20K ohms
Line Output	
Line Output Connector	XLR
Loop Gain	0dB
AC Power details	
Power Supply	220-240VAC / 100-120VAC 50/60Hz
Rigging / Bracket / Mounting Options	
	9 x M8 threaded inserts
	Pole-mount receptacle with lock screw
	Optional WPB-2 wall-mount bracket
Handles	
	4 carry handles (on top and bottom side)
Enclosure	
Enclosure Material and finish	Injection Moulded Polypropylene
Colour Options	Black paint
Grille Material & Finish	steel
Dimensions - Unpacked (mm / inches):	
Height	558mm / 22.0"
Width Front	344mm / 13.6"
Width Rear	245mm / 9.6"
Depth	340mm / 13.4"
Dimensions - Packed (mm / inches):	
Height	645mm / 25.4"
Width Front	425mm / 16.7"
Width Rear	425mm / 16.7"
Depth	419mm / 16.5"
Net Weight (kg / lbs)	16.2kg / 35.6lbs
Gross Weight (kg / lbs)	18.9kg / 41.6lbs



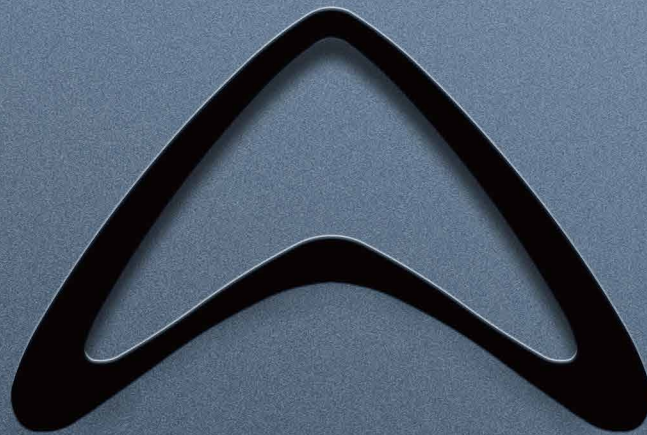
Wharfedale
Pro

MODEL : T-Sub-AX15B



Rear Panel

Model Name	T-Sub-AX15B
System Type	Active 15" Subwoofer
Frequency Response (+/-3dB)	45Hz-200Hz
Sensitivity @ 1W / 1m	97dB
Maximum SPL (peak @1m)	129dB
Low Frequency Transducer	
Size (mm / inches)	404mm / 15"
Coil Size (mm / inches)	Quad layer 3.0"
Impedance	4Ω
Amplifier	
Low-Frequency Power Amplifier (Class D)	700w Continuous / 1400w Peak
Crossover Frequency	LPF 80-200Hz (adjustable)
Controls	
Amplifier Protection	Yes
Power On Protection	Power switch on / off mute
Thermal Protection	Amplifier shutdown, auto reset
Driver Protection	Yes
DC Protection	Yes
Short Protection	Yes
Limiter Indicator	Red LED
Input type	Balanced
Input Connector	Female XLR
Input Impedance	47KΩ Balanced
Maximum Input Level	5V
Input Sensitivity	-10dB
Line Output Connector	Male XLR
Phase Switch Selection	0° / 180°
AC Power details	
Power Supply	SMPS
AC Power Options	100V-120V and 200V-240V
Power Indicator	Green(back) / Blue logo(front)
Enclosure	
Enclosure Material	15mm Plywood
Colour	Black
Grille	1.5mm steel
Pole Mount (Top)	35mm
Dimensions (Unpacked):	
Height	591mm / 23.27"
Width	454mm / 17.9"
Depth	523.9mm / 20.63"
Dimensions (packed):	
Height	689mm / 27.1"
Width	544mm / 21.4"
Depth	610mm / 24.0"
Weight	
Net Weight (kg / lbs)	25.7kg / 56.5lbs
Gross Weight (kg / lbs)	29.5kg / 64.9lbs



WWW.WHARFEDALEPRO.COM

IAG HOUSE, 13/14 GLEBE ROAD, HUNTINGDON, CAMBRIDGESHIRE,
PE29 7DL, UK
TEL: +44(0) 1480 452 561

October 2020