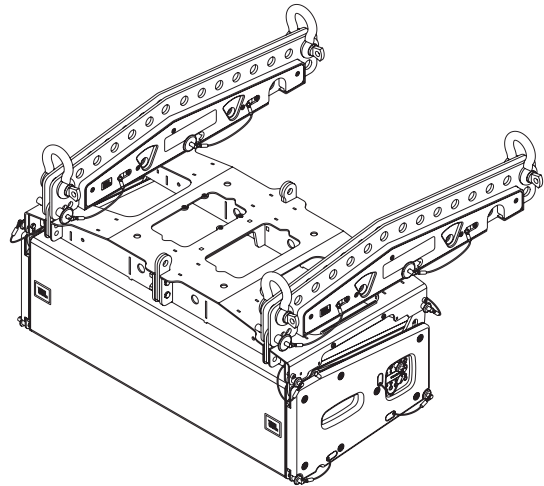
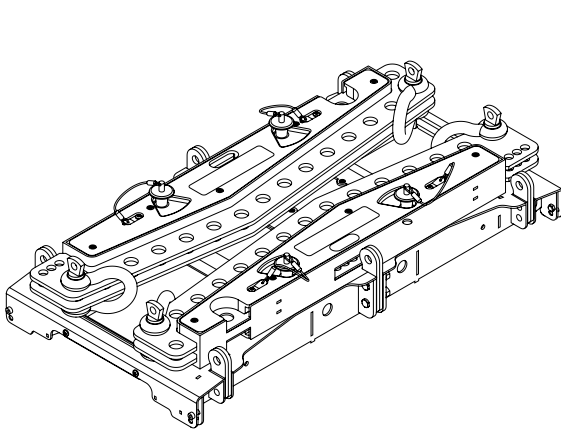


HIGHLIGHTS

- Extension Bar for use with VTX A8 AF
- Single, front-to-back or side-by-side pick point options
- Includes (3) shackles and mounting brackets
- Compatible shackle size: 5/8 in

DESCRIPTION

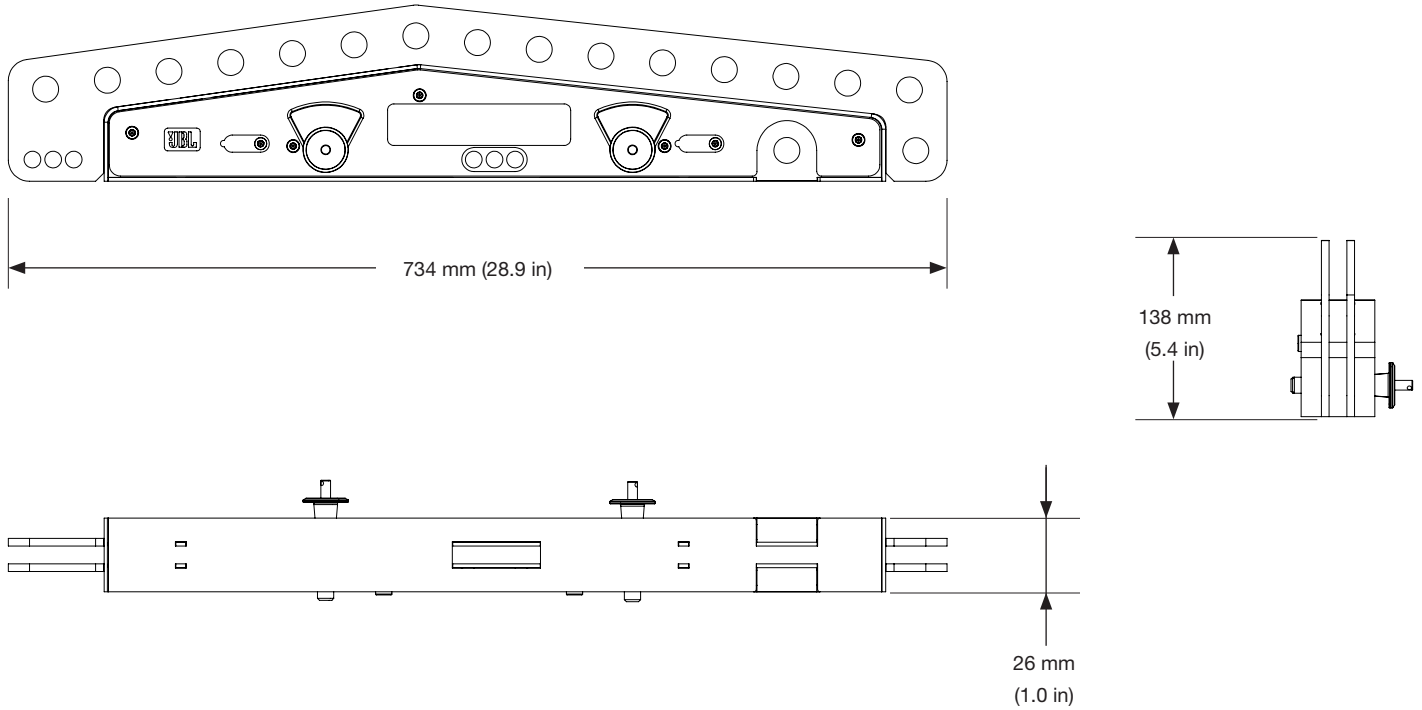
The VTX A8 AF EB extension bar was designed to operate in conjunction with the VTX A8 AF array frame to facilitate either single-point, two-point front-to-back or side-by-side suspension methods. The extension bar is compatible with 5/8-inch shackles and can be stored above the array frame during transportation. The extension bar can extend to the front or the rear of the frame to accommodate both up-tilt and down-tilt aiming options. Three connection points are available for attaching the extension bar to the array frame, allowing for precise control of shackle positioning for single-point applications. One VTX A8 AF EB extension bar is included with the purchase of an array frame and additional extension bars can be purchased to facilitate side-by-side suspension. Configurations and load conditions for using the VTX A8 AF EB can be obtained using the LAC-III software application. For more information about the extension bar and use cases, refer to the VTX A8 Rigging Manual.



INCLUDED

- (1) VTX A8 AF EB Extension Bar
- (3) 5/8 in Shackles (Part Number: 5044448)
- (8) Side Tabs (Part Number: 5085088)
- (8) Pins (Part Number: 5034413)
- (8) 5/16 in Nylock Nut (Part Number: 835-36010-00)

DIMENSIONS



TECHNICAL SPECIFICATIONS

Construction: High-grade steel with anti-corrosion coating

Finish: Black powder coat

Compatible Shackle Size: 5/8 inch

Mechanical Limits¹

Maximum: (24) VTX A8 | (13) VTX B18

Safe Limit: (22) VTX A8 | (10) VTX B18

Dimensions (H x W x D)²: 138 mm x 734 mm x 26 mm
(5.4 in x 28.9 in x 1.0 in)

Net Weight³: 7.5 kg (16.5 lbs)

Footnotes:

1: For arrays larger than the safe limit always use the JBL Line Array Calculator to determine mechanical safety

2: Refer to the 2D and 3D Customer Drawings for more detailed dimensions

3: Weight includes EB only. Shackles and other rigging parts not included

JBL continually engages in research related to product improvement. Some materials, production methods and design refinements are introduced into existing products without notice as a routine expression of that philosophy. For this reason, any current JBL product may differ in some respect from its published description, but will always equal or exceed the original design specifications unless otherwise stated.