



# SYSTEM DIAGRAMS

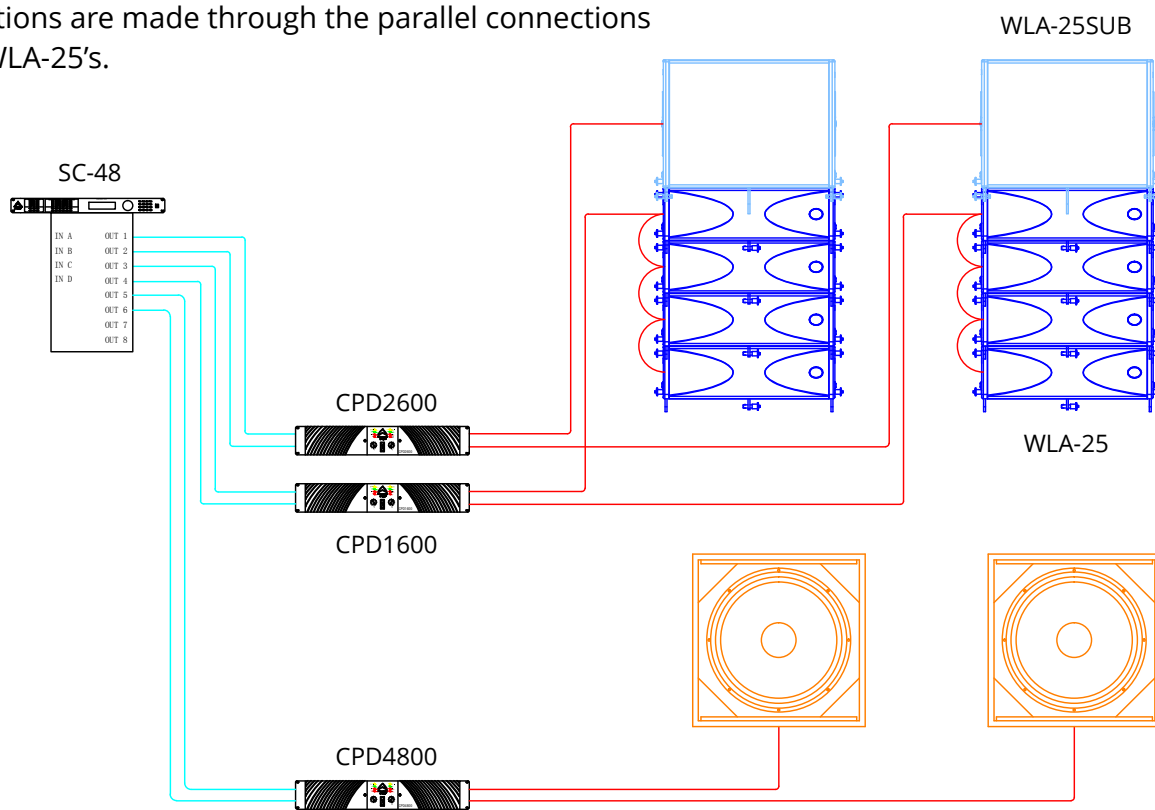
FRAMEWORK AND CONCEPTS TO HELP BUILD LINE ARRAY SYSTEMS

## WLA-25 System

This portable system uses 3 x CPD series amplifiers.

There are 4 x WLA-25, a dual 10" sub and a single 18" sub each side, with all the processing coming from a single SC-48 Versadrive.

Connections are made through the parallel connections of the WLA-25's.



### Product list

LOUDSPEAKERS	PROCESSING	AMPLIFIERS
WLA-25 x 8	SC-48	CPD2600
WLA-25SUB x 2		CPD1600
DELTA 18B x 2		CPD4800



# SYSTEM DIAGRAMS

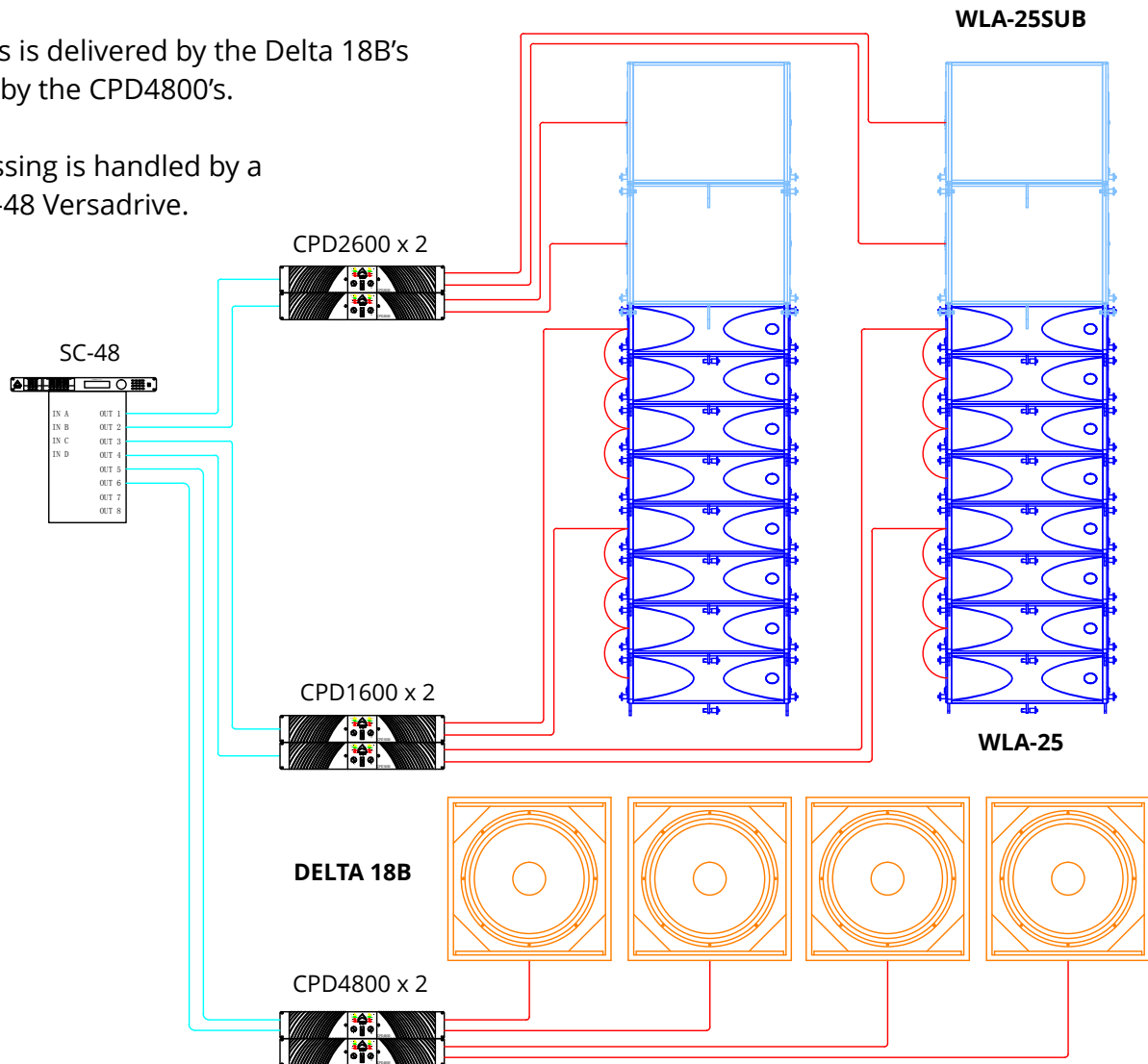
FRAMEWORK AND CONCEPTS TO HELP BUILD LINE ARRAY SYSTEMS

## WLA-25 System

This stereo system is made up of 8 x WLA-25, 2 x dual 10" subs (WLA-25SUB) and 2 x 18" subs (Delta 18B) each side.

Extra bass is delivered by the Delta 18B's powered by the CPD4800's.

All processing is handled by a single SC-48 Versadrive.



### Product list

LOUDSPEAKERS	PROCESSING	AMPLIFIERS
WLA-25SUB x 4	SC-48	CPD2600 x 2
WLA-25 x 16		CPD1600 x 2
DELTA 18B x 4		CPD4800 x 2



# SYSTEM DIAGRAMS

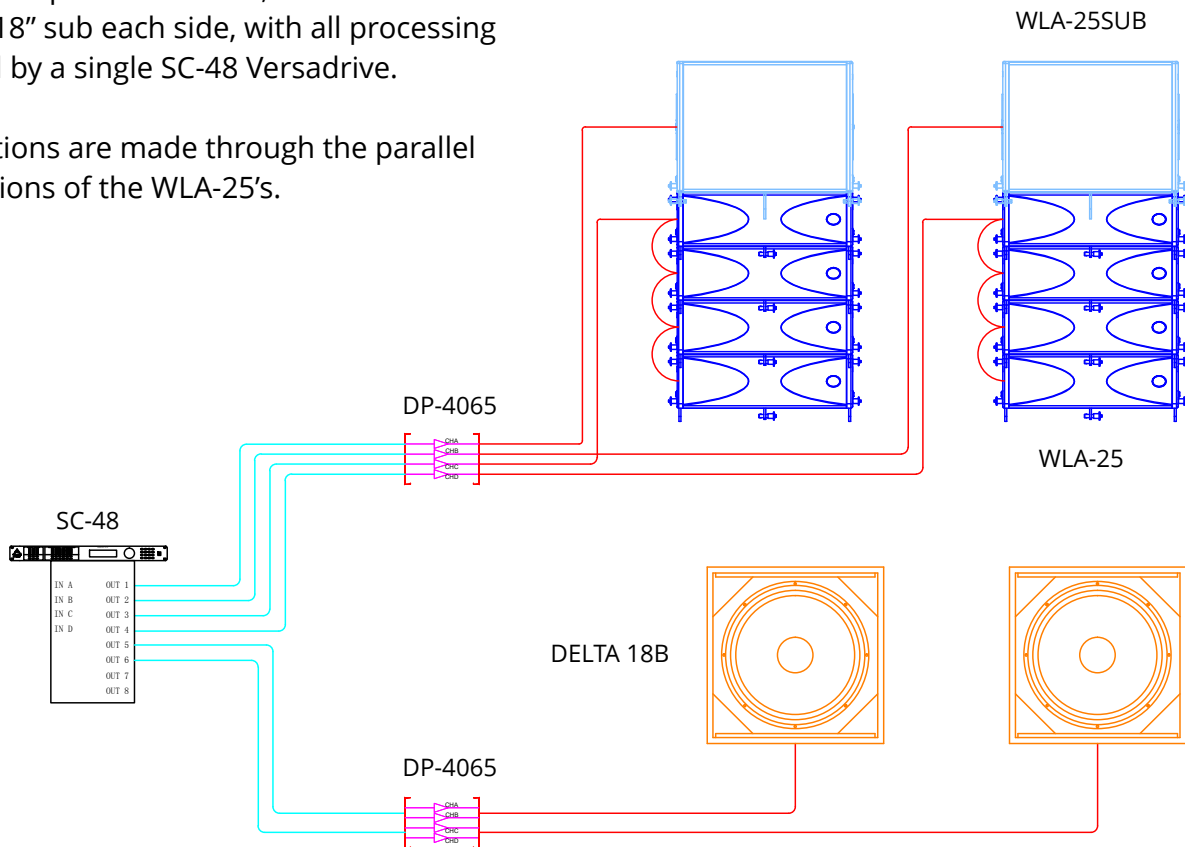
FRAMEWORK AND CONCEPTS TO HELP BUILD LINE ARRAY SYSTEMS

## WLA-25 System

This mobile system uses DP Series multi channel amplifiers.

It is made up of 4 x WLA-25, a dual 10" sub and an 18" sub each side, with all processing handled by a single SC-48 Versadrive.

Connections are made through the parallel connections of the WLA-25's.



### Product list

LOUDSPEAKERS	PROCESSING	AMPLIFIERS
WLA-25SUB x 2	SC-48	DP-4065 x 2
WLA-25 x 8		
DELTA 18B x 2		

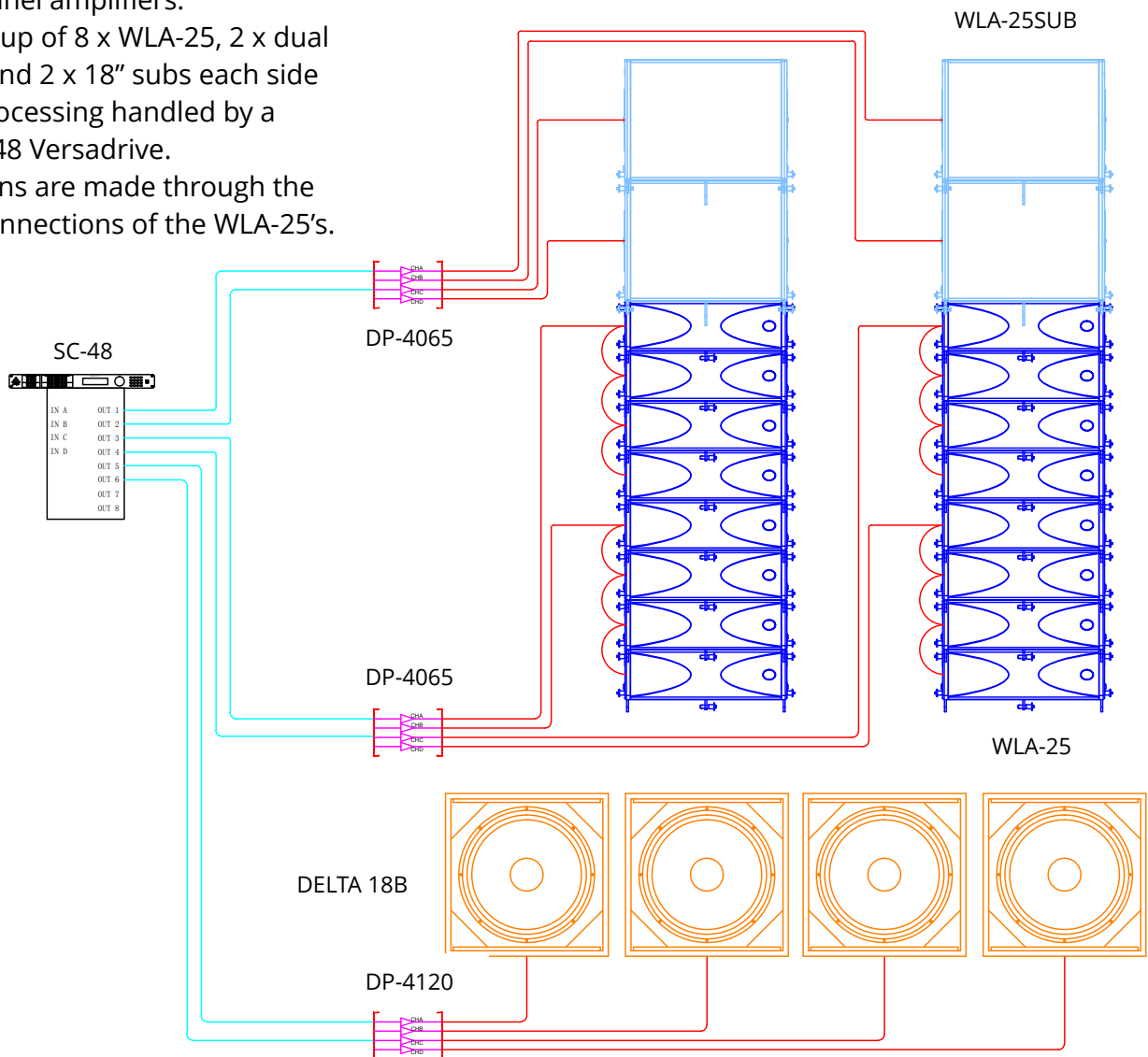


# SYSTEM DIAGRAMS

FRAMEWORK AND CONCEPTS TO HELP BUILD LINE ARRAY SYSTEMS

## WLA-25 System

This stereo system uses DP Series multi channel amplifiers. It is made up of 8 x WLA-25, 2 x dual 10" subs and 2 x 18" subs each side with all processing handled by a single SC-48 Versadrive. Connections are made through the parallel connections of the WLA-25's.



### Product list

LOUDSPEAKERS	PROCESSING	AMPLIFIERS
WLA-25SUB x 4	SC-48	DP-4065 x 2
WLA-25 x 16		DP-4120
DELTA 18B x 4		



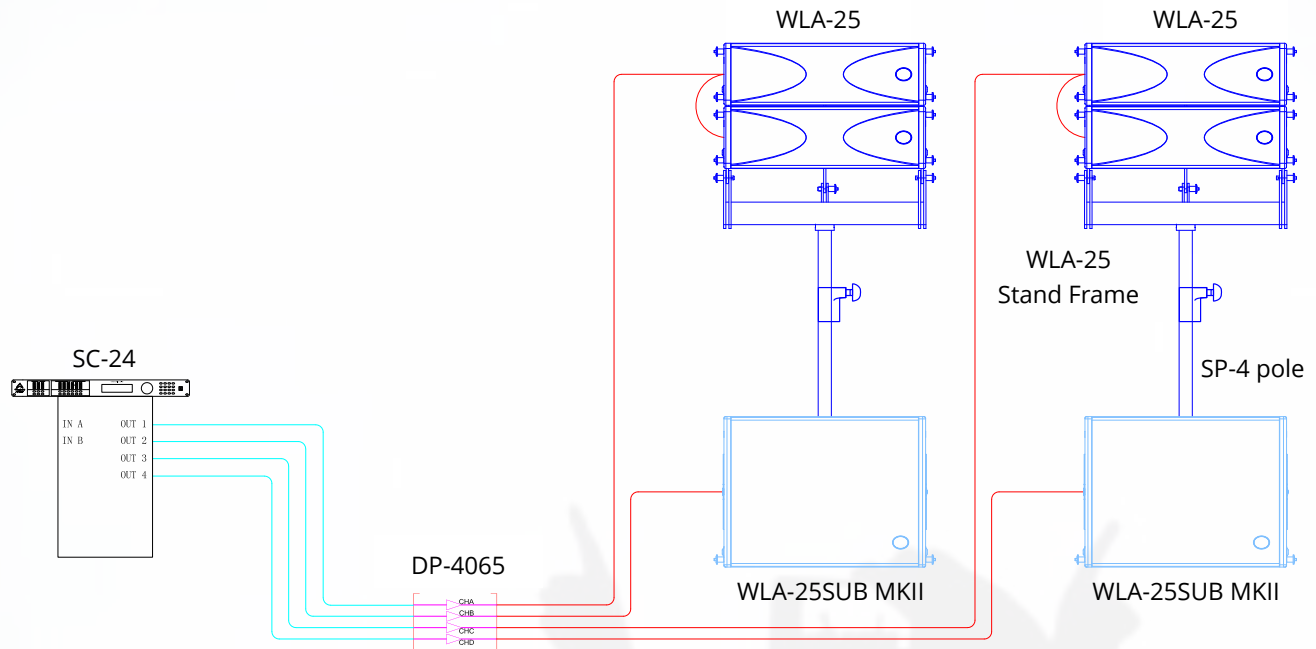
# SYSTEM DIAGRAMS

FRAMEWORK AND CONCEPTS TO HELP BUILD LINE ARRAY SYSTEMS

## WLA-25 Stand Frame system

An easy to transport and powerful array setup built around the WLA-25 Stand Frame system.

A single SC-24 takes care of the DSP while the 1U sized DP-4065 provides the power to all the elements.



### Product list

LOUDSPEAKERS	PROCESSING	AMPLIFIERS	ACCESSORIES
WLA-25 x 4	SC-24	DP-4065 x 1	WLA-25 Stand Frame x 2
WLA-25SUB MKII x 2			SP-4 Pole x 2