

WLA-28 Dolly Frame

NEW

It's wheely useful !!!

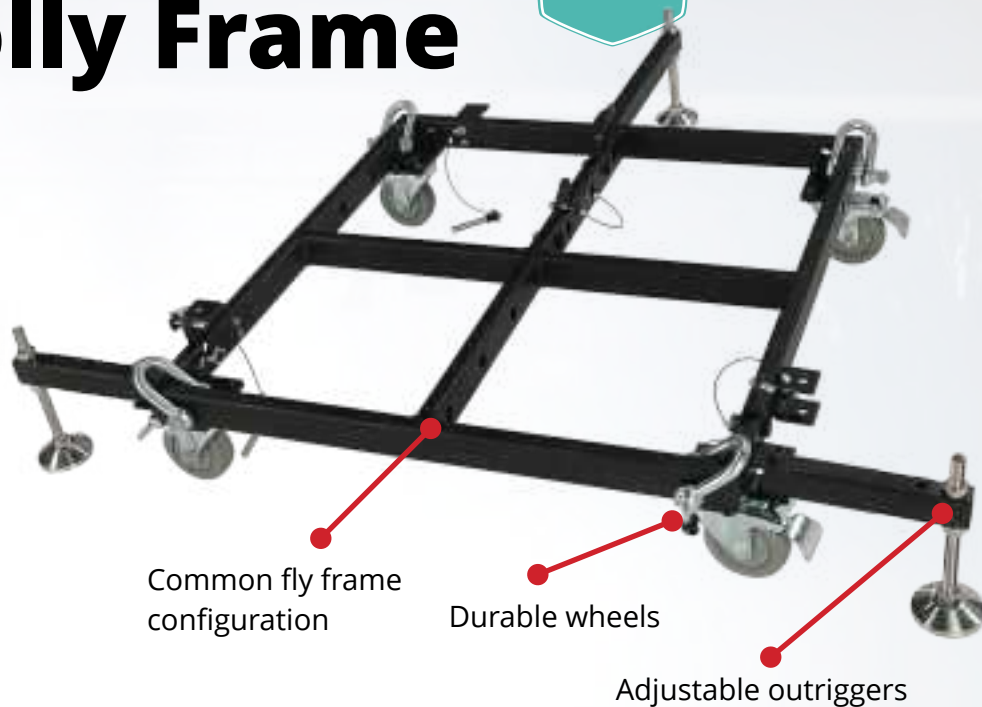
WLA-28 Line array systems are used in a variety of ways. Flying in installations or ground stacked at live events - WLA-28 is a favourite system for users who need power, definition and scalability.

With the new WLA-28 Dolly Frame, **manoeuvrability** is now an added feature.

The steel frame acts both as a common fly frame for flying situations AND as a dolly for ground stacking.

3 outriggers add stability to a ground stack allowing up to a maximum of 1 x WLA-28SUB plus 4 x WLA-28s to be configured.

Adding extra versatility to any WLA-28 system

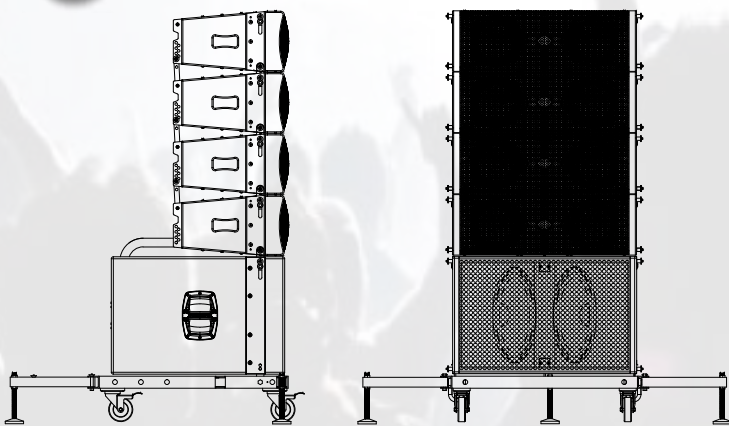


Common fly frame configuration

Durable wheels

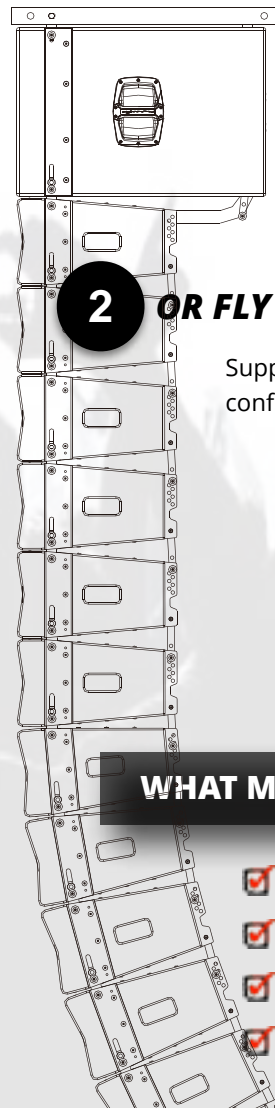
Adjustable outriggers

1 GROUND STACK ON WHEELS



WHEN IS IT AVAILABLE?

2 OR FLY AS A COMMON FLY FRAME



Supports up to 450KG in flying configuration

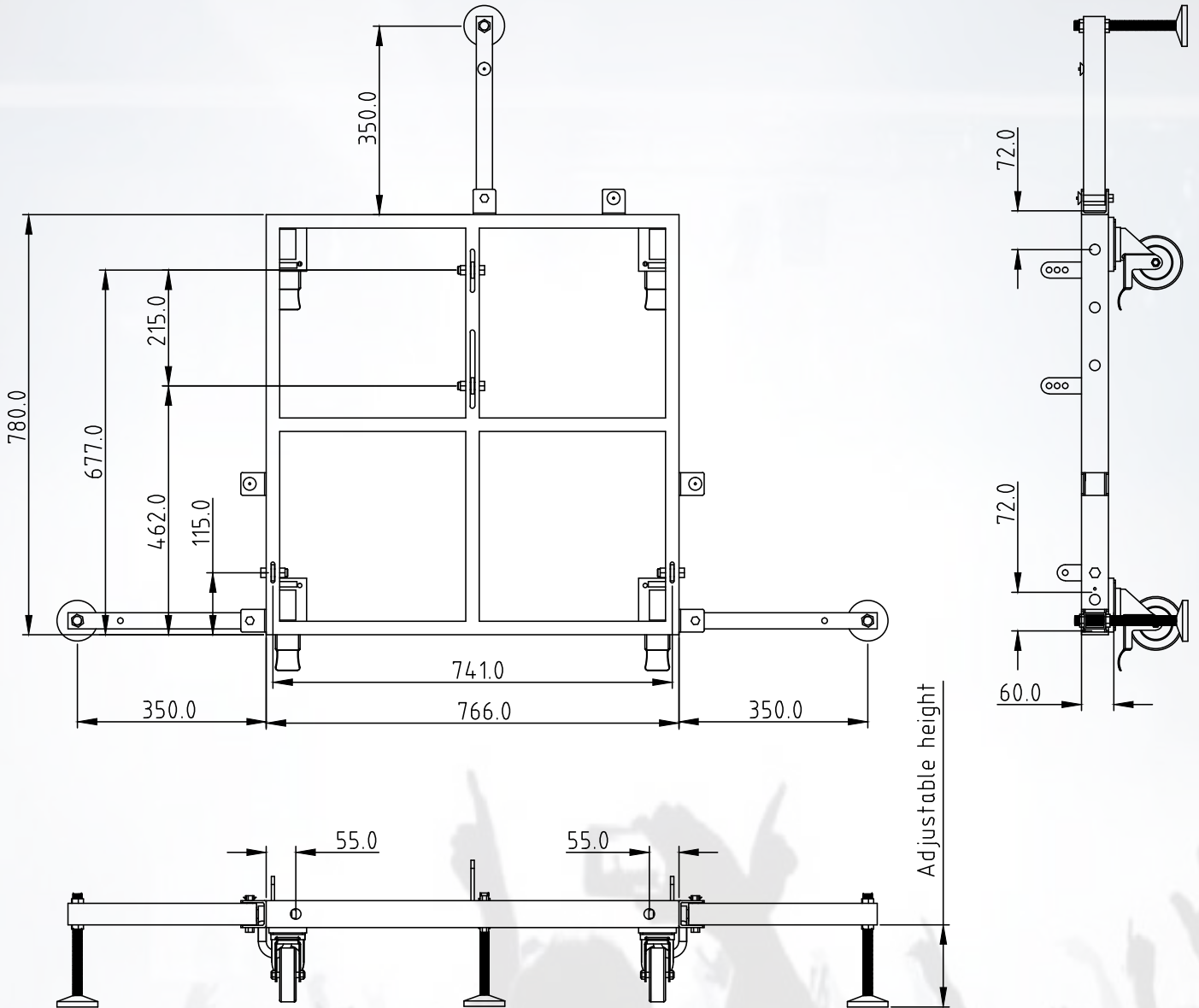
WHAT MAKES IT GREAT?

- Steel construction
- Outriggers for stability
- Fly or ground stack
- Perfect for system storage

WLA-28 Dolly Frame

Shipping from MARCH 2020

SPECIFICATIONS



WARNING

Do not attempt to stack more than
1 x WLA-28SUB and 4 x WLA-28 elements

