



## IMPORTANT SAFETY INSTRUCTIONS

For your full PDF User manual, please visit  
[www.wharfedalepro.com](http://www.wharfedalepro.com)

1. READ ALL INSTRUCTIONS – carefully and become familiar with the features and functions of these products before operating them.
2. RETAIN THESE INSTRUCTIONS – for future reference.
3. COMPLY WITH ALL WARNINGS – All warnings and instructions for this product should be adhered to.
4. USE WITH AMPLIFIERS – In order to avoid damage to drivers and other equipment, it is advisable to establish and follow a routine for powering up and powering down a sound system. With all system components connected, turn on source equipment (mixers, signal processors, record and playback units, etc.) BEFORE powering up amplifiers. Transient voltages from powering up source equipment can damage speakers if amplifiers are already turned on. Make sure that amplifier volumes are set to their minimum settings and power up any system amplifiers LAST. It is recommended that all system components be allowed to stabilize for several seconds before any source signals are introduced or level setting adjustments are made. Similarly, when shutting systems down, turn all amplifiers off first, before powering down any other system components.
5. CABLES – Do not use shielded or microphone cables for connection between amplifiers and speakers. Use only approved speaker cables with proper connectors.
6. CAUTION – Professional loudspeaker systems are capable of generating very high sound pressure levels. Use care with placement and operation to avoid exposure to excessive volume levels. Permanent hearing damage can result when operated to extreme levels.
7. SERVICE – There are no user serviceable parts inside this product. Users should not attempt to service this product. Warranty nullification could result if this is attempted.
8. RIGGING - SUSPENDING - MOUNTING - Rigging suspending or mounting of speaker systems can expose members of the public to serious health risks and even death.

**UNDER NO CIRCUMSTANCES ATTEMPT TO RIG, SUSPEND OR OTHERWISE MOUNT THESE SPEAKERS UNLESS YOU ARE FULLY QUALIFIED AND CERTIFIED TO DO SO BY RELEVANT LOCAL, STATE AND NATIONAL AUTHORITIES. ALL RELEVANT SAFETY REGULATIONS MUST BE FOLLOWED. IF YOU ARE NOT PROPERLY QUALIFIED OR DO NOT KNOW OF PERTINENT REGULATIONS, CONSULT QUALIFIED PERSONNEL FOR ADVICE.**

### WHARFEDALE PRO LIMITED WARRANTY

Wharfedale Pro products are warranted of manufacturing or material defects for a period of three years from the original date of purchase. In the event of malfunction, contact your authorised Wharfedale Pro dealer or distributor for information.

Please be aware that the warranty details may differ from country to country. Contact your dealer or distributor for information (available at [www.wharfedalepro.com](http://www.wharfedalepro.com)). These terms do not infringe your statutory rights.

#### WHARFEDALE PROFESSIONAL

IAG House, 13/14 Glebe Road, Huntingdon, Cambridgeshire, PE29 7DL, UK

[www.wharfedalepro.com](http://www.wharfedalepro.com)

Wharfedale Professional reserves the right to alter or improve specifications without notice.

All rights reserved © 2022 Wharfedale Pro. Wharfedale Pro is a member of the IAG Group.

- Dual 10 " Passive line array
- IPX6 Waterproof Certification
- Wax wrapped components
- Anti-corrosion stainless steel hardware
- Waterproof input connectors
- System Continuous Power LF: 800 W HF: 90 W
- System Programme Power LF: 1600 W HF: 180 W
- System Peak Power LF: 3200 W HF: 360 W
- Impedance 16  $\Omega$
- 15 mm / 18 mm Plywood construction / 3.0 mm Aluminium

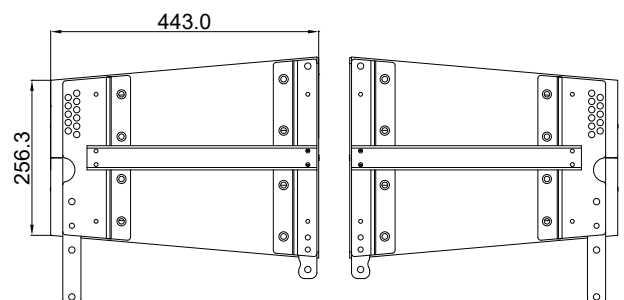
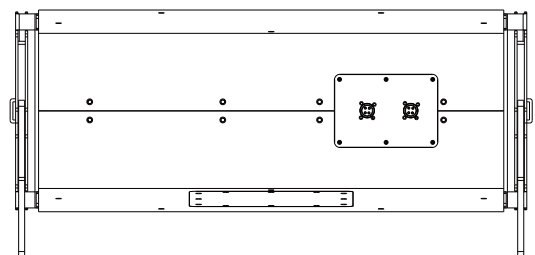
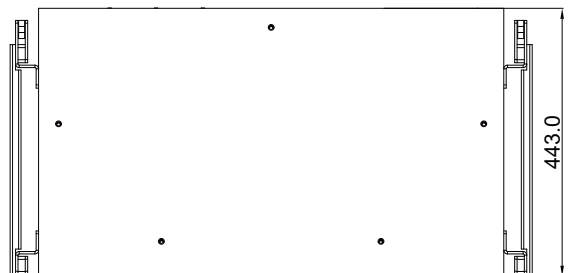
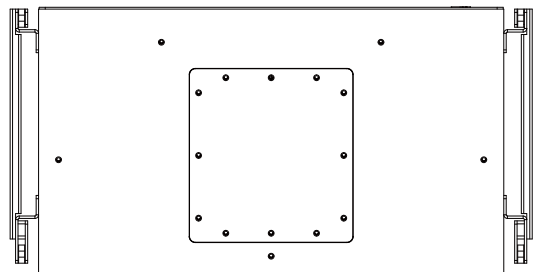
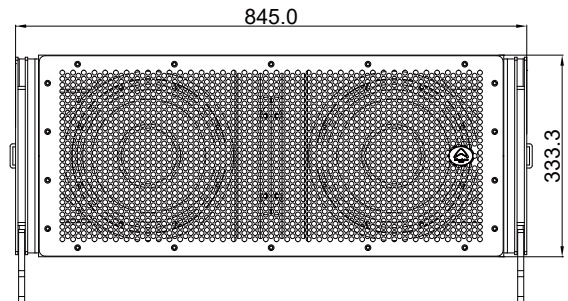
# WLA-210XF

## OVERVIEW

For your full PDF User manual, please visit [www.wharfedalepro.com](http://www.wharfedalepro.com)

## SPECIFICATIONS

<b>Model Name</b>	<b>WLA-210XF</b>
<b>System Type</b>	Passive IPX6 waterproof
<b>Configuration</b>	Two-way 2 x 10"
<b>Frequency Response (+/-3 dB)</b>	65 Hz - 20 KHz
<b>Frequency Range (-10 dB)</b>	60 Hz - 20 KHz
<b>Sensitivity (2.83 v / 1 m)</b>	102 dB
<b>Calculated Maximum SPL @1 m</b>	138 dB
<b>System Rated Impedance</b>	16 $\Omega$
<b>Low Frequency Transducer</b>	
<b>Size</b>	2 x 260 mm / 2 x 10"
<b>Voice Coil Size</b>	65 mm / 2.5"
<b>Rated Impedance</b>	2 x 8 $\Omega$
<b>LF Power (re:AES2-2012)</b>	2 x 400 W
<b>High Frequency Transducer</b>	
<b>HF Driver Type</b>	Compression Driver - Neo
<b>Voice Coil Size</b>	75 mm / 3.0"
<b>Exit Size</b>	35.6 mm / 1.4"
<b>Diaphragm Material</b>	Titanium
<b>Rated Impedance</b>	8 $\Omega$
<b>HF Power (re:AES2-2012)</b>	90 W
<b>Nominal Coverage (H x V)</b>	100° x 10°
<b>Power</b>	
<b>System Continuous Power</b>	LF:800 W HF:90 W
<b>System Programme Power</b>	LF:1600 W HF:180 W
<b>System Peak Power</b>	LF:3200 W HF:360 W
<b>Crossover frequency</b>	1.5 KHz
<b>Operational Modes:</b>	No
<b>Input Connector</b>	2 x WY-24K4Z (waterproof)
<b>Hardware</b>	
	Integral side plate adjustable rigging 0°-10°
<b>Enclosure Material</b>	15 mm, 18 mm Plywood 3.0 mm Aluminium
<b>Finish</b>	Waterproof Black Paint
<b>Grille Material &amp; Finish</b>	3.0 mm Black Aluminium
<b>Dimensions - (Unpacked)</b>	
<b>Height Front / Height Rear</b>	333.3 mm / 13.1" 256.3 mm / 10.0"
<b>Width Front</b>	845 mm / 33.3"
<b>Width Rear</b>	845 mm / 33.3"
<b>Depth</b>	443 mm / 17.4"
<b>Dimensions - (Packed)</b>	
<b>Height</b>	953 mm / 37.5"
<b>Width Front</b>	424 mm / 16.7"
<b>Width Rear</b>	424 mm / 16.7"
<b>Depth</b>	513 mm / 20.2"
<b>Weight</b>	
<b>Net Weight (kg / lbs)</b>	46.0 kg / 101.2 lbs
<b>Gross Weight (kg / lbs)</b>	50.0 kg / 110.0 lbs



Wharfedale Pro also manufacture a wide range of power amplifiers and signal processors.  
For recommended accessories, amplifiers and system diagrams please visit [www.wharfedalepro.com](http://www.wharfedalepro.com)