

WLA-218BX

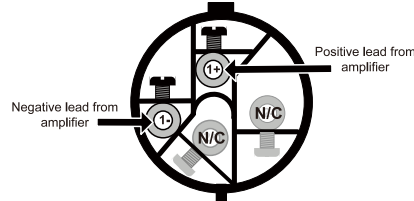
- Front speakON compatible input for Inverted Stack Gradient Array configuration
- 4.0" voice coils using acclaimed Reason-X LF drivers
- 2000 W AES (RMS)
- 4000 W Programme
- 8000 W Peak
- 18 mm Plywood construction
- A powerful sub with cardioid functionality

OVERVIEW

For your full PDF User manual, please visit www.wharfedalepro.com

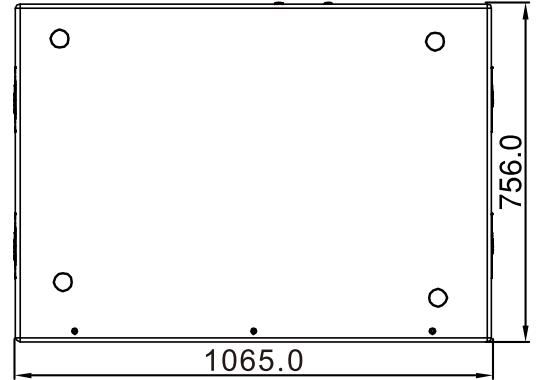
CONNECTIONS

PIN 1+	LF Positive
PIN 1-	LF Negative
PIN 2+	Not connected
PIN 2-	Not connected

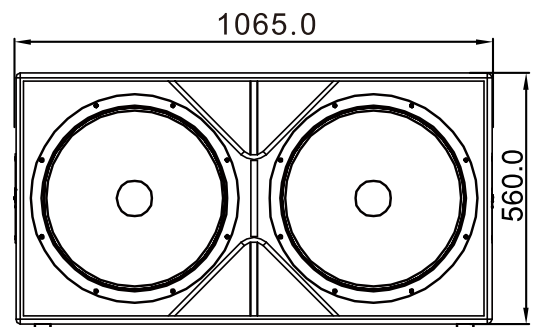


SPECIFICATION

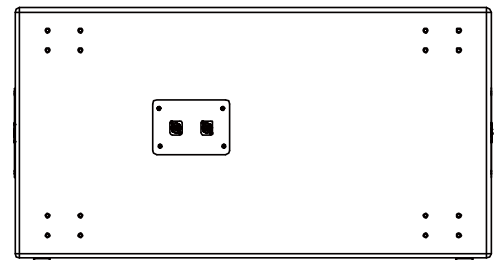
Model Name	WLA-218BX
System Type	Passive
Configuration	Dual 18" Subwoofer
Frequency Response (+/-3 dB)	30-800 Hz
Frequency Range (-10 dB)	25-800 Hz
Sensitivity 2.83 V / 1 Meter	109 dB
Calculated Maximum SPL @1 Meter	148 dB
System Rated Impedance	4 Ω
Low Frequency Transducer	
Size	2 x 470 mm / 18"
Voice Coil Size	102 mm / 4.0"
LF Magnet Material	Ferrite
LF Frame Material	Aluminium
Rated Impedance	2 x 8 Ω
LF Power re:AES2-2012	2 x 1000 W
Nominal Impedance	4 Ω
Power	
System AES (RMS) Power	2000 W
System Programme Power	4000 W
System Peak Power	8000 W
Crossover Frequency	
Input Connectors	3 x speakON (2 rear, 1 front)
Rigging	No
Pole Mount	No
Handles	4 on Sides
Enclosure	
Cabinet Type	Rectangle
Enclosure Material and finish	18 mm plywood
Colour Options	black paint
Grille Material & Finish	steel
Dimensions - Unpacked (mm / inches):	
Height	560 mm / 22.0"
Width Front	1065 mm / 41.9"
Width Rear	1065 mm / 41.9"
Depth	756 mm / 29.8"
Dimensions - Packed (mm / inches):	
Height	638 mm / 25.1"
Width Front	1138 mm / 44.8"
Width Rear	1138 mm / 44.8"
Depth	829 mm / 32.6"
Weight	
Net Weight	75.0 kg / 165 lbs
Gross Weight	87.7 kg / 192.9 lbs



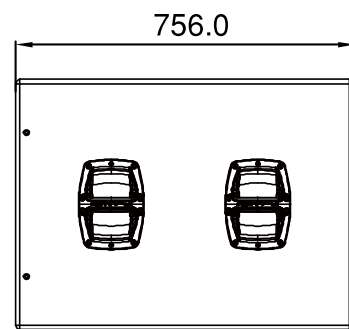
TOP



FRONT



REAR



Wharfedale Pro also manufacture a wide range of power amplifiers and signal processors.
For recommended accessories, amplifiers and system diagrams please visit www.wharfedalepro.com



IMPORTANT SAFETY INSTRUCTIONS

For your full PDF User manual, please visit www.wharfedalepro.com

1. **READ ALL INSTRUCTIONS** – carefully and become familiar with the features and functions of these products before operating them.
2. **RETAIN THESE INSTRUCTIONS** – for future reference.
3. **COMPLY WITH ALL WARNINGS** – All warnings and instructions for this product should be adhered to.
4. **USE WITH AMPLIFIERS** – In order to avoid damage to drivers and other equipment, it is advisable to establish and follow a routine for powering up and powering down a sound system. With all system components connected, turn on source equipment (mixers, signal processors, record and playback units, etc.) **BEFORE** powering up amplifiers. Transient voltages from powering up source equipment can damage speakers if amplifiers are already turned on. Make sure that amplifier volumes are set to their minimum settings and power up any system amplifiers **LAST**. It is recommended that all system components be allowed to stabilize for several seconds before any source signals are introduced or level setting adjustments are made. Similarly, when shutting systems down, turn all amplifiers off first, before powering down any other system components.
5. **CABLES** – Do not use shielded or microphone cables for connection between amplifiers and speakers. Use only approved speaker cables with proper connectors.
6. **CAUTION** – Professional loudspeaker systems are capable of generating very high sound pressure levels. Use care with placement and operation to avoid exposure to excessive volume levels. Permanent hearing damage can result when operated to extreme levels.
7. **SERVICE** – There are no user serviceable parts inside this product. Users should not attempt to service this product. Warranty nullification could result if this is attempted.
8. **RIGGING - SUSPENDING - MOUNTING** - Rigging suspending or mounting of speaker systems can expose members of the public to serious health risks and even death.

UNDER NO CIRCUMSTANCES ATTEMPT TO RIG, SUSPEND OR OTHERWISE MOUNT THESE SPEAKERS UNLESS YOU ARE FULLY QUALIFIED AND CERTIFIED TO DO SO BY RELEVANT LOCAL, STATE AND NATIONAL AUTHORITIES. ALL RELEVANT SAFETY REGULATIONS MUST BE FOLLOWED. IF YOU ARE NOT PROPERLY QUALIFIED OR DO NOT KNOW OF PERTINENT REGULATIONS, CONSULT QUALIFIED PERSONNEL FOR ADVICE.

WHARFEDALE PRO LIMITED WARRANTY

Wharfedale Pro products are warranted of manufacturing or material defects for a period of one year from the original date of purchase. In the event of malfunction, contact your authorized Wharfedale Pro dealer or distributor for information.

*Be aware that warranty details may differ from country to country. Contact your dealers or distributor for information. These terms do not infringe your statutory rights.

WHARFEDALE PROFESSIONAL

IAG House, 13/14 Glebe Road, Huntingdon, Cambridgeshire, PE27 7DL, UK
www.wharfedalepro.com

Wharfedale Professional reserves the right to alter or improve specifications without notice.
All rights reserved © 2020 Wharfedale Pro. Wharfedale Pro is a member of the IAG Group.