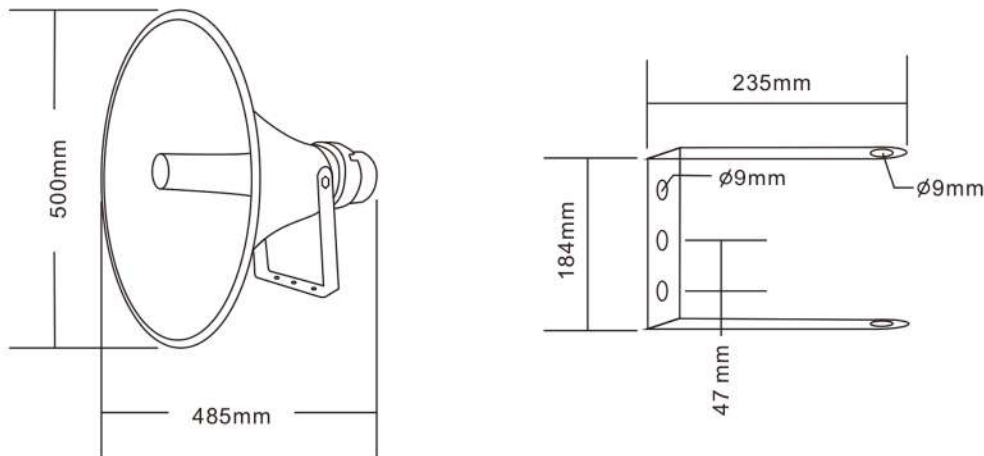




DIMENSION



Model	MHS-R250V
Power Taps@100V	25W/50W/100W
Impedance	400 Ω / 200 Ω / 100 Ω
Sensitivity	114dB
MAX SPL(1W/1M)	134dB
Freq Response	160-8KHz
IP Rate	IP × 66
Dimensions	500×485 mm
Weight	4.6Kg