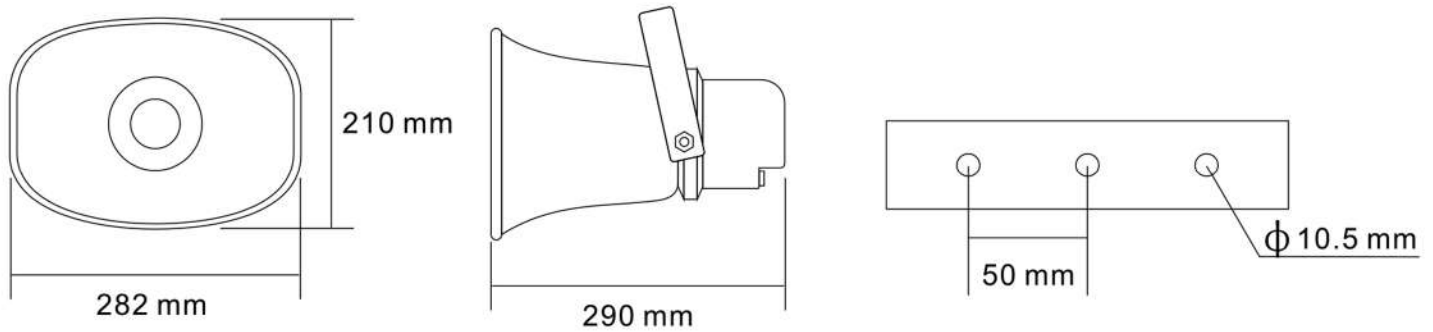




DIMENSION



Model	MHS-R30V
Power Taps @100V	15W, 30W
Power Taps @70V	7.5W, 15W
Impedance	Black: Com Green: 670 Ω White: 330 Ω
SPL(1W/1M)	103dB \pm 3dB
Max. SPL (Rated W/1M)	117dB
Frequency Response (-10dB)	300-13KHz
Finish	Baffle: ABS, White
IP Rate	IP66
Dimensions	282 x 210 x 290mm
Weight	2.1Kg
Mounting	With mounting bracket fixed by screw