

# MP9306D 60W Ultra-thin Digital Mixer Amplifier



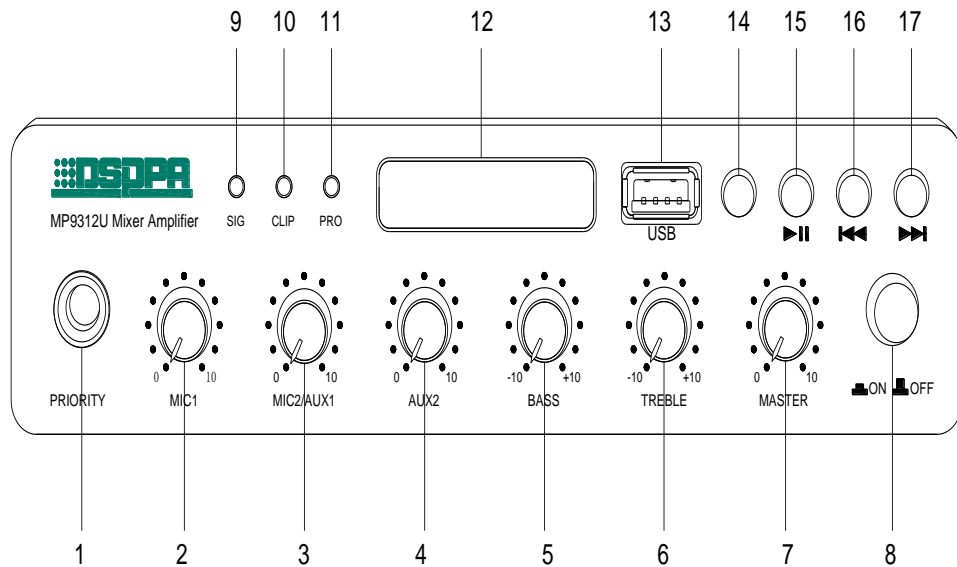
## Features

- Built-in digital amplifier module, high efficiency (85%)
- Support USB & FM radio
- 2 AUX & 2 Mic inputs & 1 AUX output for power extension
- Each AUX & Mic input with individual volume control
- Mic 1 of 6.35mm in front panel, with priority & muting
- With priority input and 100V input
- Support both AC power and DC 24V power input
- 100V speaker output for long distance transfer

## Specifications

Model		MP9306U	MP9312U	MP9306D	MP9312D
Rated Power		60W	120W	60W	120W
Speaker Output		100V			
Sensibility	MIC	0.06 (±0.015) VRMS			
	Line	0.3 (±20mV)VRMS			
	100V-IN	100 VRMS			
SNR	MIC	≥74db(Maximum)			
	AUX、EMC	≥80dB (Maximum)			
Frequency Response		80Hz-15kHz (±3dB)			
Distortion		≤0.5 %			
Power Supply		AC220V, 50-60Hz		AC220V, 50-60Hz ,DC24V	
Tone	Bass	±10dB (100Hz)			
	Treble	±10dB (10kHz)			
Power Consumption		800W	150W	800W	150W
Size (W×H×L)		200×190×44mm			
Net Weight		1.5kg			
Gross Weight		2kg			

## Front panel



1. **Mic 1 priority input**
2. **MIC1 volume adjustment**  
Adjust the volume of **MIC1**, turn clockwise to turn up, turn counter clockwise to turn down.
3. **MIC2/AUX1 volume adjustment**  
Adjust the volume of **MIC2/AUX1**, turn clockwise to turn up, turn counter clockwise to turn down.
4. **AUX2 volume adjustment**  
Adjust the volume of **AUX2**, turn clockwise to turn up, turn counter clockwise to turn down.
5. **Bass volume adjustment**  
The central position as the benchmark, turn counter clockwise to turn down the bass, turn clockwise to turn up the bass
6. **Treble volume adjustment**  
The central position as the benchmark, turn counter clockwise to turn down the treble, turn clockwise to turn up the treble
7. **Master volume adjustment**  
Adjust the level of all signals (except EMC), turn clockwise to turn up the volume, turn counter clockwise to turn down the volume.
8. **Power switch**  
Press “ON” to turn on the power, press “OFF”to close the power
9. **Signal level indicator (SIG)**
10. **Clip Indicator (CLIP)**
11. **Protection indicator (PRO)**
12. **Display screen**
13. **USB interface**  
Insert the U disk to provide program to the built-in MP3

**14. Mode switcher**

Bluetooth mode (BLUE), U-disk MP3 mode, line input mode (LINE) mode can be switched

**15. Play/Pause**

In U disk and Bluetooth mode, pause play

In Line mode, this key is to mute

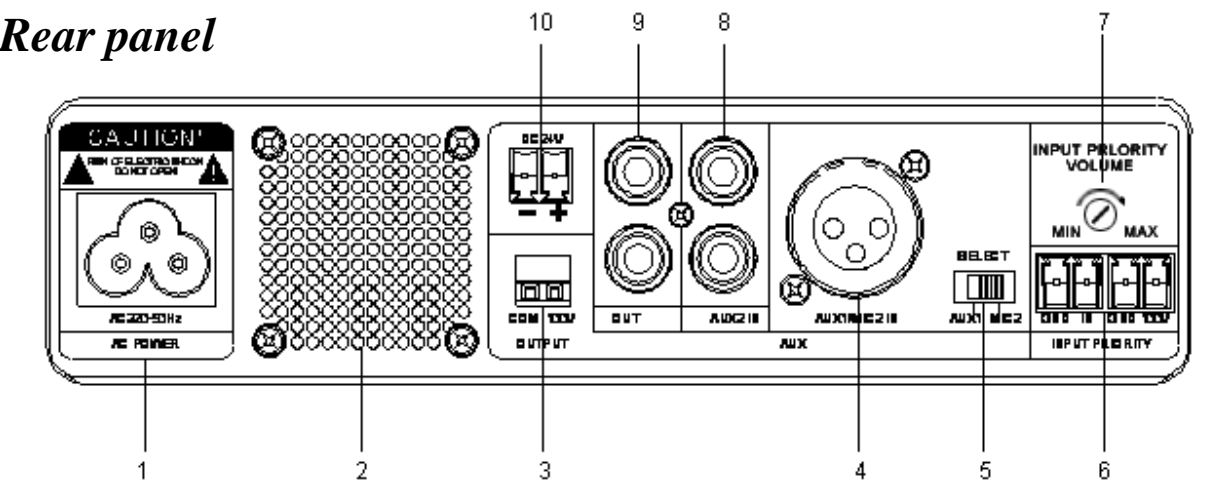
**16. Last song**

In U-disk and Bluetooth mode, press this key to switch to the “last song”, long press this key to turn down the volume

**17. Next song**

In U-disk and Bluetooth mode, press this key to switch to the “next song”, long press this key to turn up the volume

*Rear panel*



**1. AC220V Power input socket**

The interface is to supply the working power. Insert the plug onto the machine, then connect the power grid.

**2. Cooling fan window**

**3. Speaker output interface**

**4. LINE1 /MIC2 IN balanced input interface**

Can connect with microphone or other external audio

**5. LINE1/PP/MIC2 switcher**

LINE1/PP/MIC2 audio selection switcher, can left and right slide to choose AUX1 or MIC2 or phantom power for MIC2 (PP switch)

**6. Priority & 100V input interface**

This interface has the highest output signal

**7. Priority input volume adjustment**

**8. AUX2 input interface**

**9. Line Out**

**10. DC24V input interface**